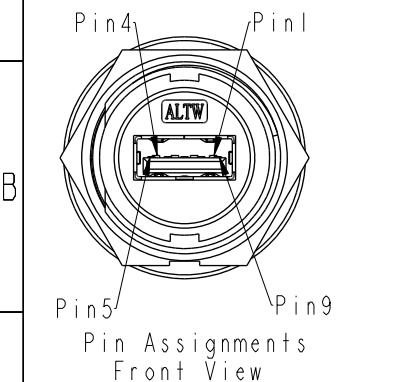
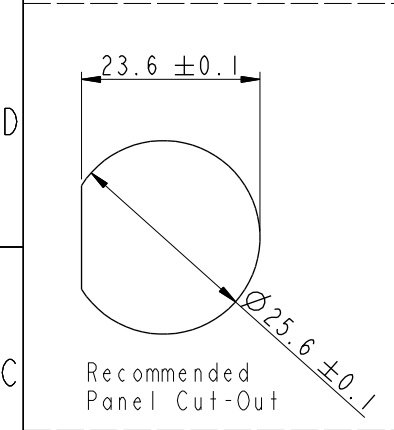
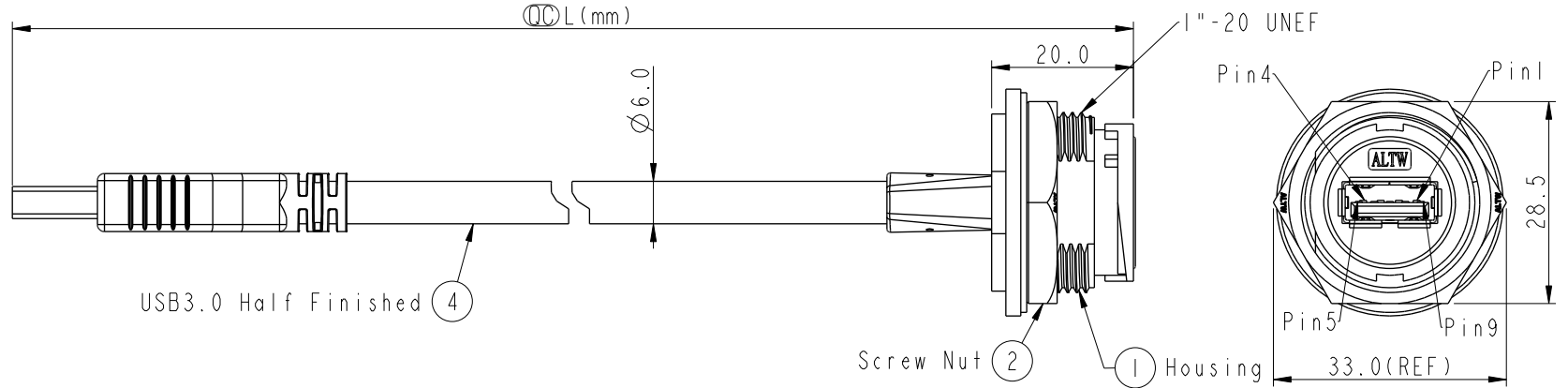


THIS DOCUMENT IS SUBJECT TO CHANGE WITHOUT NOTICE. IT IS CONFIDENTIAL AND A PROPERTY OF Amphenol LTW. DISCLOSURE TO THIRD PARTY HAS TO BE AUTHORIZED BY Amphenol LTW.

REV.	ECN NO.	DATE	SIGN	DESCRIPTION
A	Initial Released	2020/08/21	Ruru	Old Item No. UA-30PMFL-LD7BXX
B	C220894	2022/06/23	Vicky	$\triangle B$ XI



Shield	Braid	編織	Shield	Shield	
9	Orange	28AWG 橙	SDP2+	9	Twist
8	Purple	28AWG 紫	SDP2-	8	
7	Drain	28AWG	SDP2_Drain	7	
6	Yellow	28AWG 黃	SDP1+	6	Twist
5	Blue	28AWG 藍	SDP1-	5	
7	Drain	28AWG	SDP1_Drain	7	
4	Black	28AWG 黑	GND_PWRrt	4	Twist
3	Green	28AWG 綠	UTP_D+	3	
2	White	28AWG 白	UTP_D-	2	
1	Red	28AWG 紅	PWR	1	
Conn.1	Wire Color		Signal Name	Conn.2	

Pin Out

UA-30PMFL-LC7BXX

XX : 150~300mm
 15 : 150mm
 20 : 200mm
 30 : 300mm

Cable Length(L): 150~300mm

Note:

- * ⌀ Important Dimension.
- * Housing: Thermoplastic, Black
- * Screw Nut: Thermoplastic, Black
- * Gasket: Rubber, Gray
- * Jack: USB3.0-A Female Solder
- * Cable: UL2725 (IP*28#+DMA)*2C+IP*28#+2C*28#+ADB, PVC, UV Resistant, OD=6.0mm, Black
- * Cable Length Tolerance: 150MM~300MM:±15mm
- * Use with waterproof cap or dust cap
- * Panel Thickness max: 2.8mm
- * Use without waterproof cap or dust cap
- * Panel Thickness max: 4.0mm
- * All of Drain twisted together.

UNIT:mm

TOLERANCE

±0.5

TITLE

USB, A TYPE, 3.0, FRONT FASTENED
M, F, PNL W/PLUG, 2LOCK

SCALE 1:1 SIZE A4 SHEET 1 OF 1

REV. B WC-REV. B.6 ⌀ : Inspection item

Amphenol LTW

安費諾亮泰企業股份有限公司

ITEM NO	DRAWN BY	DATE
	Ruru	2020-08-21
DWG NO	CHECKED BY	DATE
UA-30PMFL-LC7BXX	Rita	2020-08-21
CUSTOMER	APPROVED BY	DATE
ALTW	Max	2020-08-21