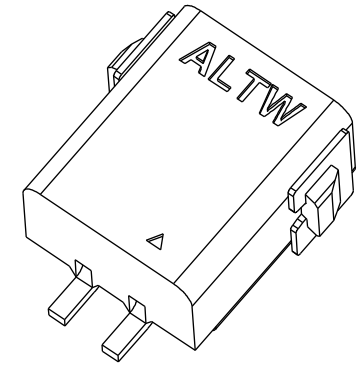
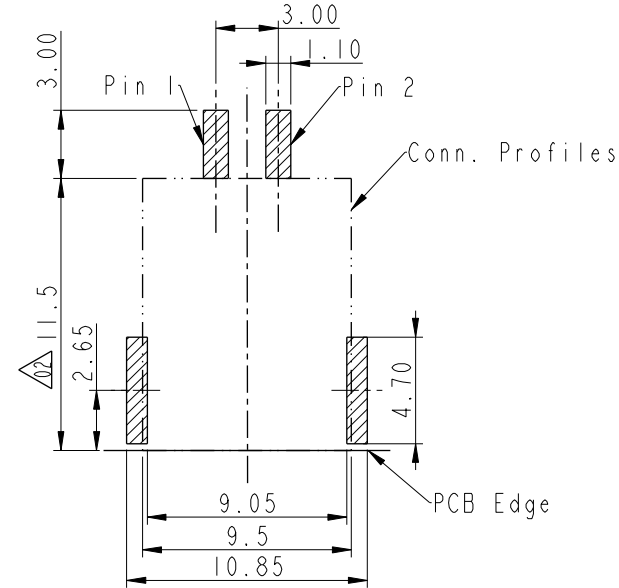
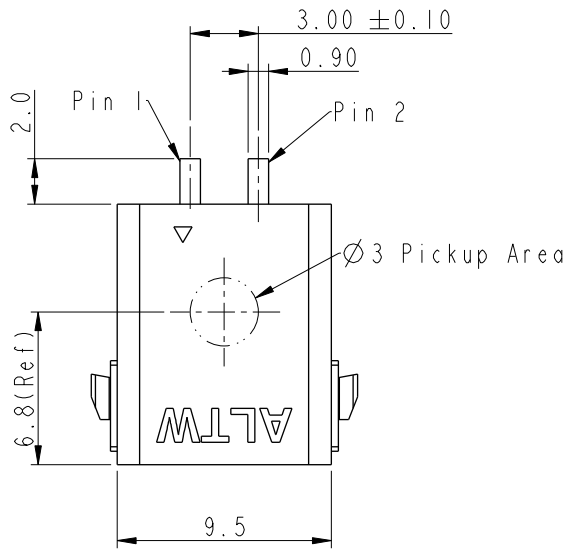
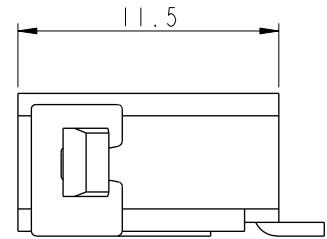
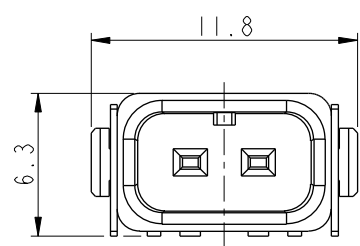
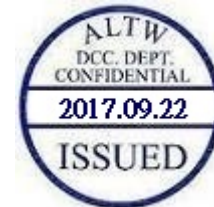


REV.	ECN NO.	DATE	SIGN	DESCRIPTION
A	Initial Release	2014-07-31	Cary	Change To Rev. A
B	LEN1620281	2016-02-29	Fisher	Update label
C	LEN1790247	2017-09-14	Ruru	RoHS Label and blue and white label merger



RECOMMENDED PCB LAYOUT
GENERAL TOLERANCE IS ±0.05

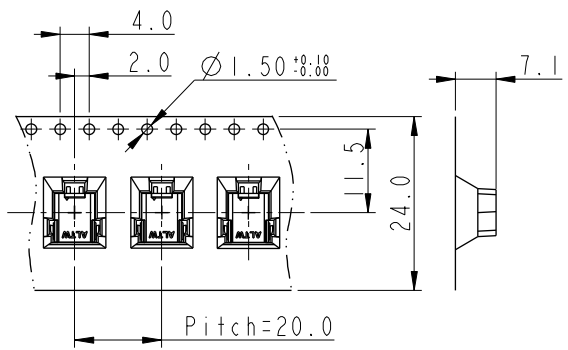


- Notes:
- * \varnothing Important Dimension To Check.
 - * Waterproof Rate: IP68(mating)
1M Depth Of Water In 24 Hours.
 - * Housing: High temperature thermoplastic.
UL94V-0, color is natural white.
 - * Terminal: Copper Alloy, Gold plated on contact area.
 - * Solder Peg: Copper Alloy, Tin plated over Nickel.
 - * Current Rating: 5A maximum.
 - * Voltage Rating: 250V AC/DC maximum.
 - * Operating Temperature: -40~+105°C

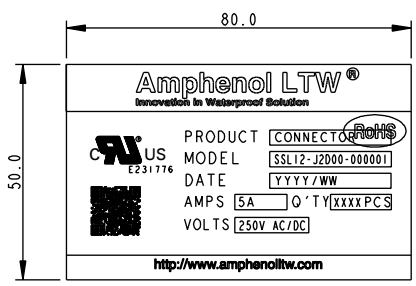
UNIT: mm TOLERANCE ±0.5mm	TITLE SSL1.2 2P R/A SMT JACK CONN.		Amphenol LTW 安費諾亮泰企業股份有限公司		ITEM NO SSL12-J2D00-000001	DRAWN BY Ruru	DATE 2017-09-14
	SCALE 3:1	SIZE A4			SHEET 1 OF 2	DWG NO SSL12-J2D00-000001	CHECKED BY Rita
	REV. C	WC-REV. A.6	\varnothing : Inspection item	CUSTOMER ALTW	APPROVED BY Max	DATE 2017-09-14	

THIS DOCUMENT IS SUBJECT TO CHANGE WITHOUT NOTICE. IT IS CONFIDENTIAL AND A PROPERTY OF Amphenol LTW. DISCLOSURE TO THIRD PARTY HAS TO BE AUTHORIZED BY Amphenol LTW.

THIS DOCUMENT IS SUBJECT TO CHANGE WITHOUT NOTICE. IT IS CONFIDENTIAL AND A PROPERTY OF Amphenol LTW. DISCLOSURE TO THIRD PARTY HAS TO BE AUTHORIZED BY Amphenol LTW.



Print content of Label $\triangle B \triangle C$

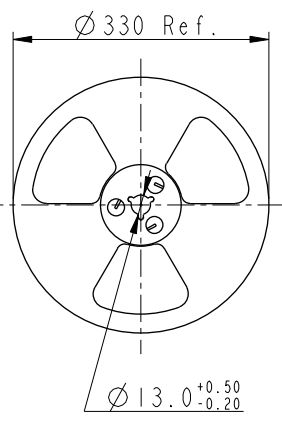
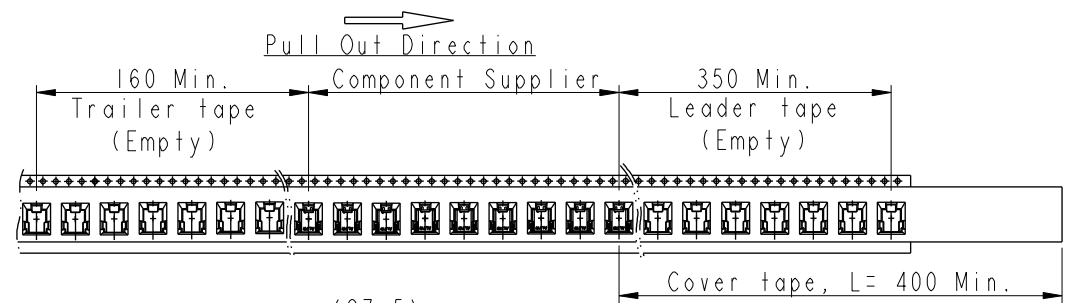


MATERIALS

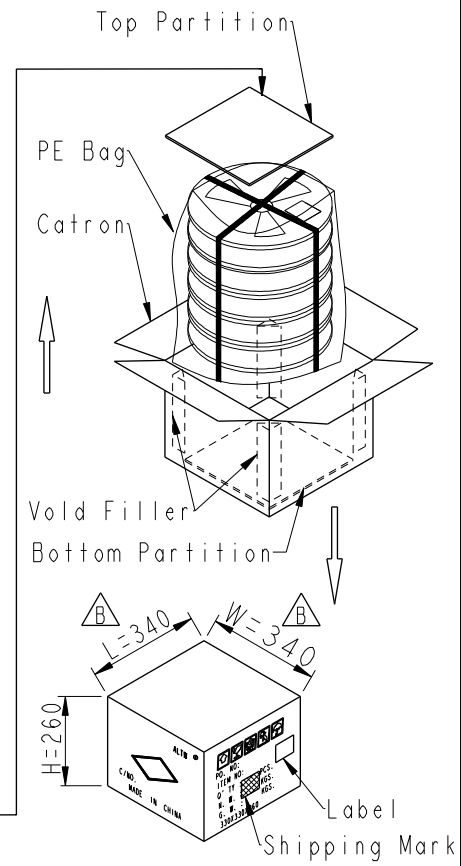
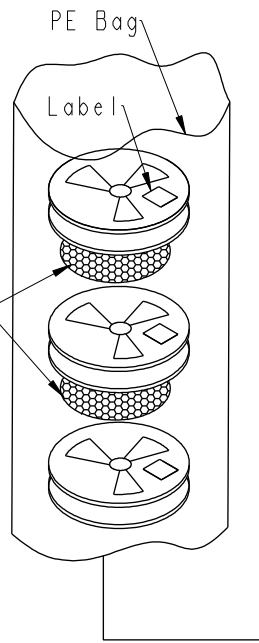
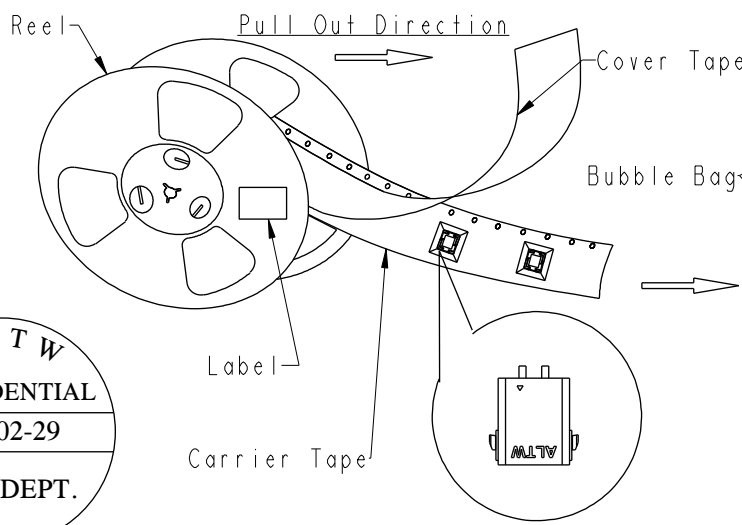
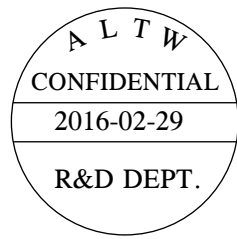
1. Carrier Tape: Polystyren (PS)
2. Cover Tape: Polystyren (PS)
3. Reel: Polystyren (PS)

QUANTITY

1. 450Pcs Per Reel
2. 8 Reel Per Carton (3600Pcs/Carton)
3. Reference Standard: EIA-481-D
4. Net Weight: 2.7Kg/Carton
5. Gross Weight: 7.9Kg/Carton



Reel For Carrier Tape



UNIT:mm		
TOLERANCE $\pm 0.5mm$		

TITLE SSL1.2 2P R/A SMT JACK CONN.		
SCALE 3:1	SIZE A4	SHEET 2 OF 2
REV. C	WC-REV. A.6	QC: Inspection item

Amphenol LTW
安費諾亮泰企業股份有限公司

ITEM NO SSL12-J2D00-000001	DRAWN BY Ruru	DATE 2017-09-14
DWG NO SSL12-J2D00-000001	CHECKED BY Rita	DATE 2017-09-14
CUSTOMER ALTW	APPROVED BY Max	DATE 2017-09-14

DATE 2017-09-14
DATE 2017-09-14
DATE 2017-09-14