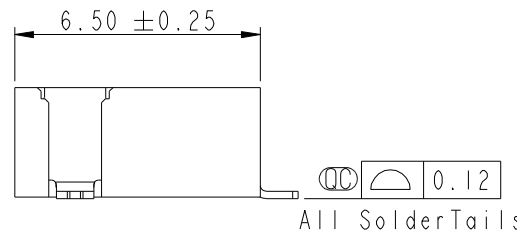
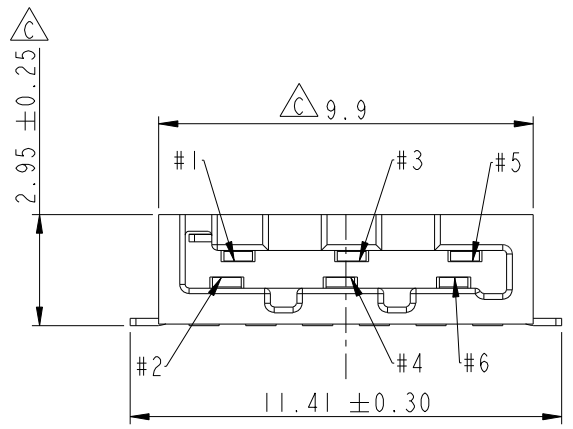
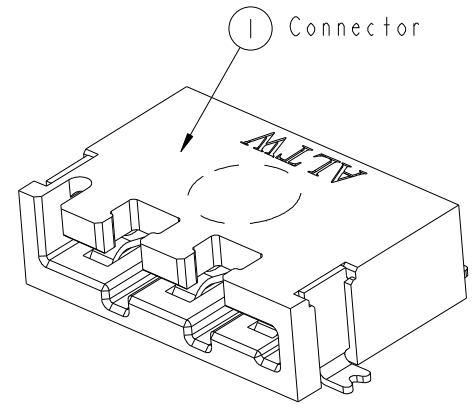
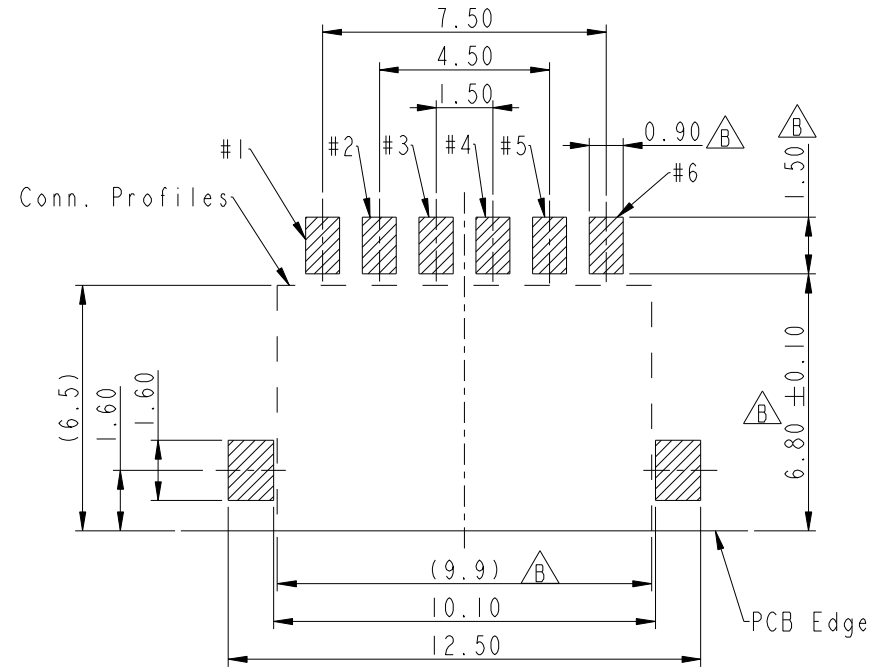
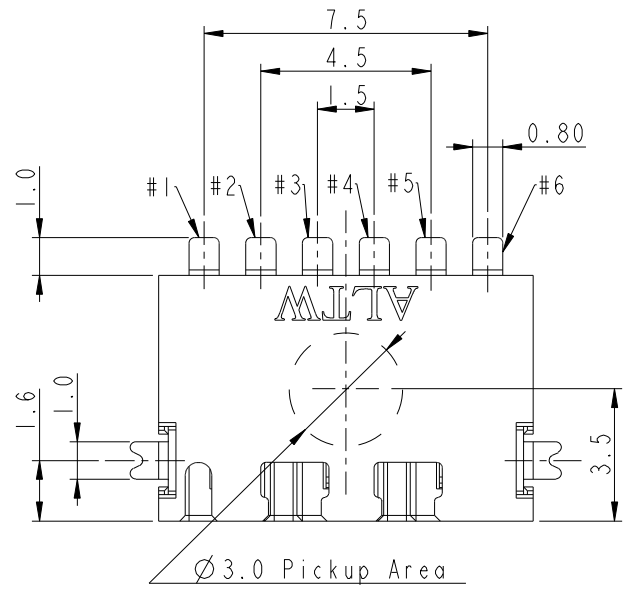
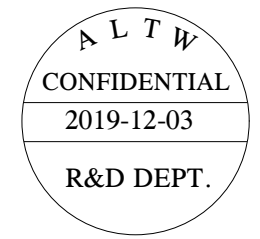


THIS DOCUMENT IS SUBJECT TO CHANGE WITHOUT NOTICE. IT IS CONFIDENTIAL AND A PROPERTY OF Amphenol LTW. DISCLOSURE TO THIRD PARTY HAS TO BE AUTHORIZED BY Amphenol LTW.

REV.	ECN NO.	DATE	SIGN	DESCRIPTION
C	LE313C0109	2013-12-16	Fisher	Change Plating and Package
D	CI91496	2019-08-29	NianPing Yu	Add UL Label
E	CI92063	2019-12-03	NianPing Yu	△E XI



RECOMMENDED P.C.B. LAYOUT
GENERAL TOLERANCE IS ±0.05



- Notes:
- * (CC) Important Dimension To Check.
 - * Housing: High temperature thermoplastic. UL94V-0, color is Natural white.
 - * Terminal: Copper Alloy, Gold Plated on contact area. Tin plated on solder tails.
 - * Solder Peg: Copper Alloy, Tin plated over Nickel.

UNIT: mm			TITLE SSL-1.1 DC JACK CONNECTOR 6-POS. W/O POST, SMT TYPE
TOLERANCE .X ±0.25 .XX ±0.1 .XXX ±0.05 ANGLES ±1°	SCALE 5:1	SIZE A4	SHEET 1 OF 2
REV. E	WC-REV. C.3	QC: Inspection item	

Amphenol LTW
安費諾亮泰企業股份有限公司

ITEM NO. SSL11-J6D00-000001	DRAWN BY NianPing Yu	DATE 2019-08-29
DWG NO. SSL11-J6D00-000001	CHECKED BY Fisher Wang	DATE 2019-08-29
CUSTOMER ALTW	APPROVED BY Max Yang	DATE 2019-08-29

