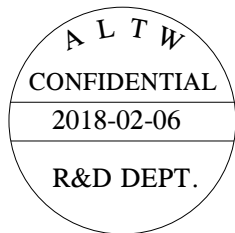
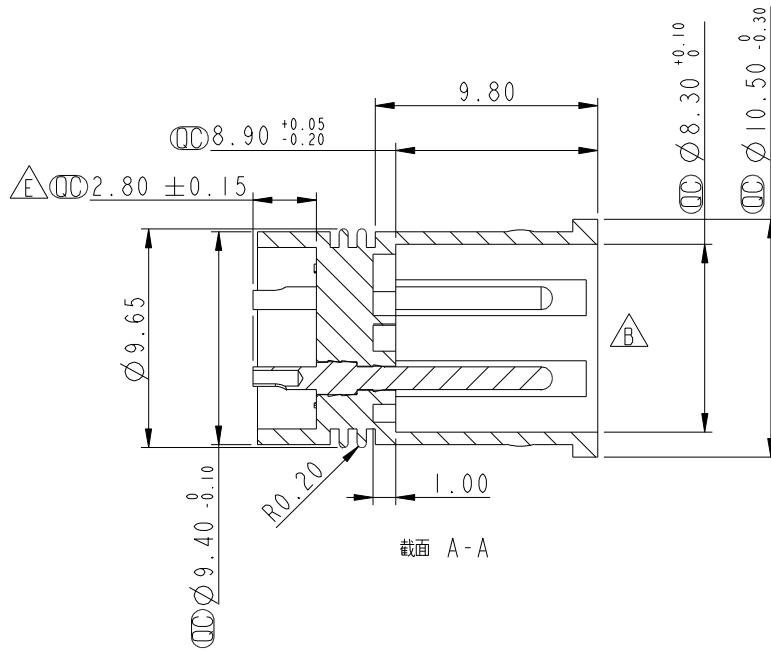
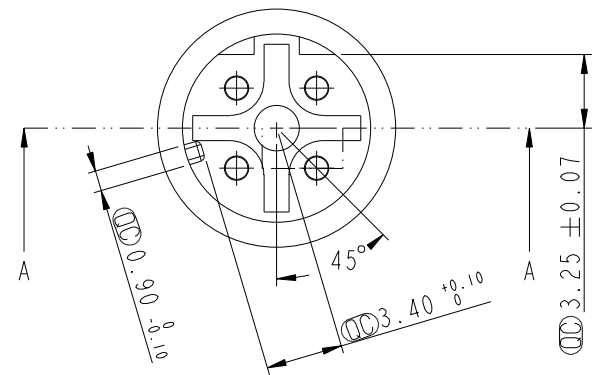
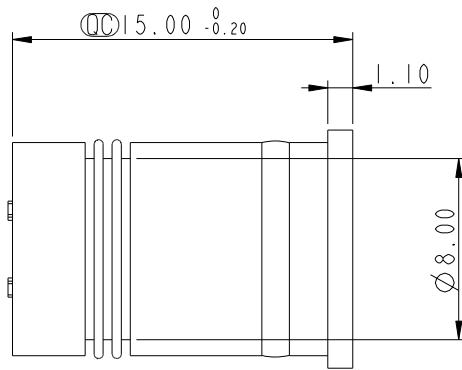
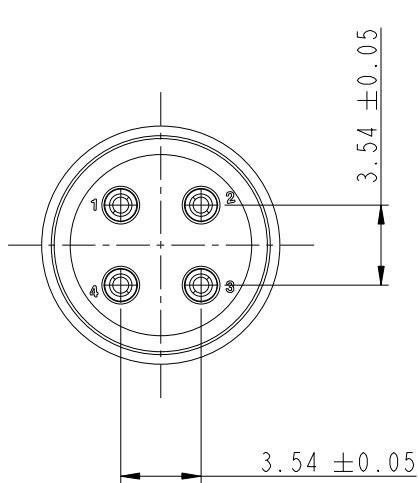
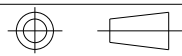


REV.	ECN NO.	DATE	SIGN	DESCRIPTION
C	LEN1650289	2016/05/11	Jinhai	Change Dimensions
D	LEN1681089	2016/08/16	Mafei	Updated The Dimension.
E	LEN1810198	2018-02-06	Zhangling Wan	Updated The Dimension.



Note:
 * \varnothing Important Dimension To Check.
 * Housing: Nylon+GF, Black.
 * Male Pin: Copper Alloy Gold Plated.

UNIT: mm



TITLE Solder M12 D Code 4Pin			
SCALE 3:1	SIZE A4	SHEET 1 OF 1	
REV. E	WC-REV. A.1	\varnothing : Inspection item	

Amphenol LTW
 安費諾亮泰企業股份有限公司

ITEM NO SLD-D004001	DRAWN BY Zhangling Wan	DATE 2018-02-06
DWG NO SLD-D004001	CHECKED BY Fisher Wang	DATE 2018-02-06
CUSTOMER ALTW	APPROVED BY Kevin Hu	DATE 2018-02-06

THIS DOCUMENT IS SUBJECT TO CHANGE WITHOUT NOTICE. IT IS CONFIDENTIAL AND A PROPERTY OF AMPHENOL LTW. DISCLOSURE TO THIRD PARTY HAS TO BE AUTHORIZED BY AMPHENOL LTW.