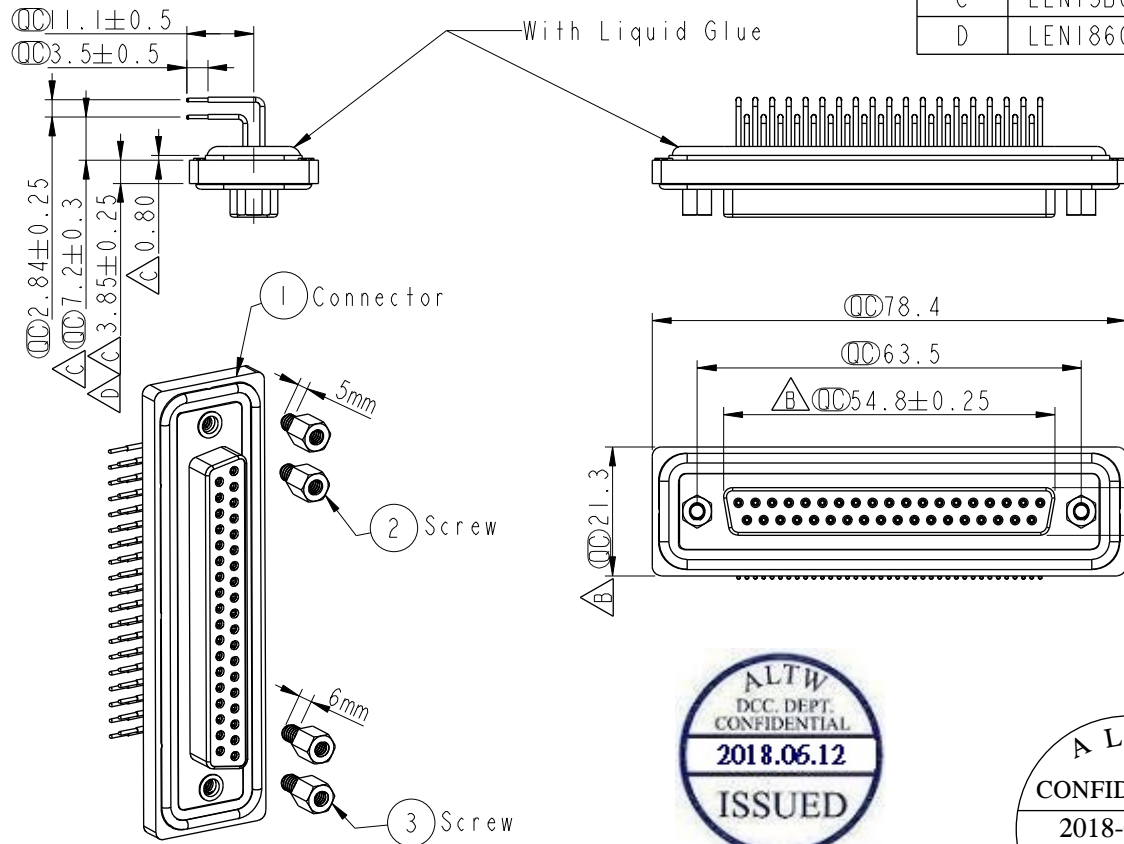


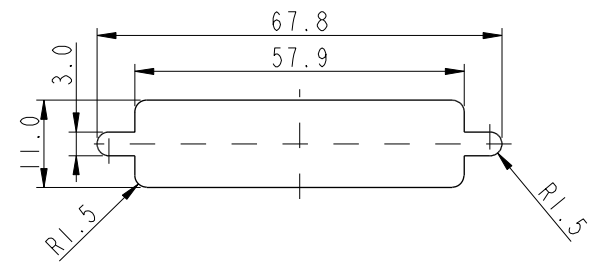
THIS DOCUMENT IS SUBJECT TO CHANGE WITHOUT NOTICE. IT IS CONFIDENTIAL AND A PROPERTY OF Amphenol LTW. DISCLOSURE TO THIRD PARTY HAS TO BE AUTHORIZED BY Amphenol LTW.

REV.	ECN NO.	DATE	SIGN	DESCRIPTION
B	LEN1350286	2013/05/31	Yulong	Update the Dimension
C	LEN13B0250	2013/11/12	SAM	Modify Dimension
D	LEN1860069	2018/05/10	Richard	Modify Dimension

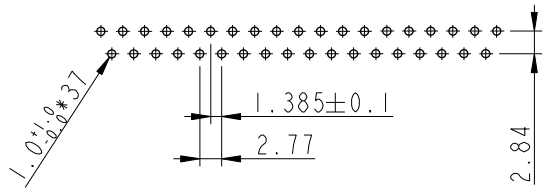


Screw L=5.0 For Panel Thickness Under 1.2mm
適用板厚為1.2mm 以下

Screw L=6.0 For Panel Thickness Between 1.2~2.0mm
適用板厚為1.2~2.0mm



Recommended Panel Cut-Out
建議挖孔尺寸



37 Pin Female Connector
PCB Pin Layout

- Note:
- * (Circled C) Important Dimension.
 - * Waterproof Rate : IP67
 - * Do Mating Test After Glued
點膠後，須作對插測試
 - * D-SUB Conn. : Black Core,PBT
 - * Plastic Jacket : Black,Nylon+GF
 - * Female Pin : Copper Alloy , Gold Plated
 - * Ring : Light Blue,Silicone
 - * Screw : Copper Alloy,Nickel Plated,#4-40 UNC

UNIT:mm			TITLE D-Sub Conn 37 Pins PCB Type Panel Screw DB37P F Conn F Pin		
TOLERANCE	.X ±0.25	.XX ±0.1	SCALE 4:5	SIZE A4	SHEET 1 OF 1
ANGLES	.XXX ±0.05	±1°	REV. D	WC-REV. B.2	(Circled C): Inspection item

Amphenol LTW
安費諾亮泰企業股份有限公司

ITEM NO SDB-37PFFP-SR7001	DRAWN BY Richard	DATE 2018-05-10
DWG NO SDB-37PFFP-SR7001	CHECKED BY Neo	DATE 2018-05-10
CUSTOMER ALTW	APPROVED BY Max	DATE 2018-05-10