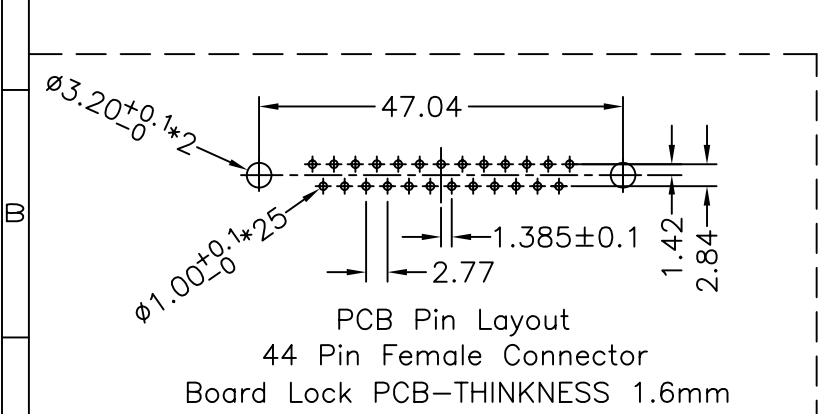
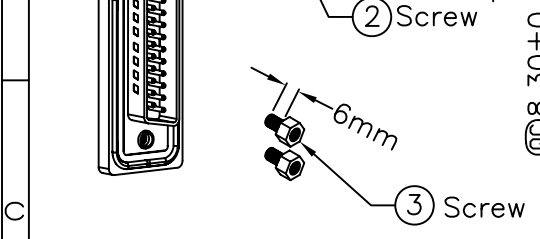
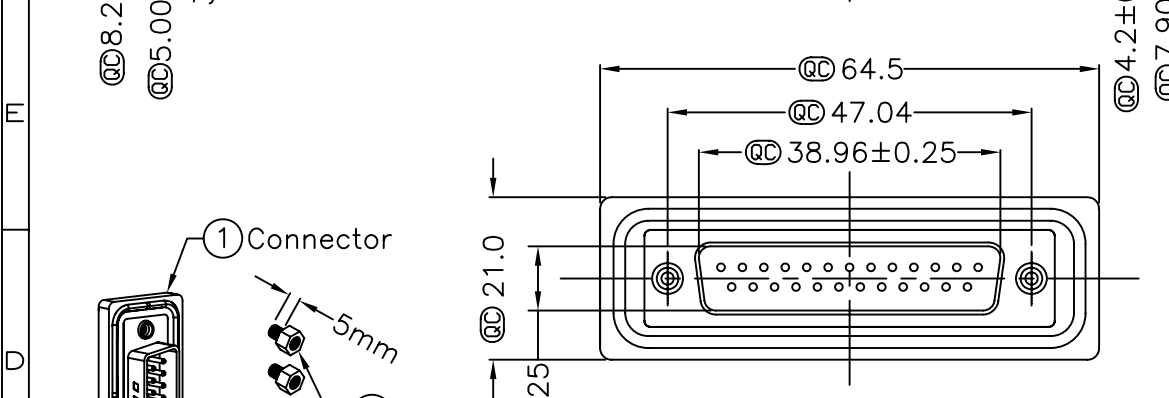
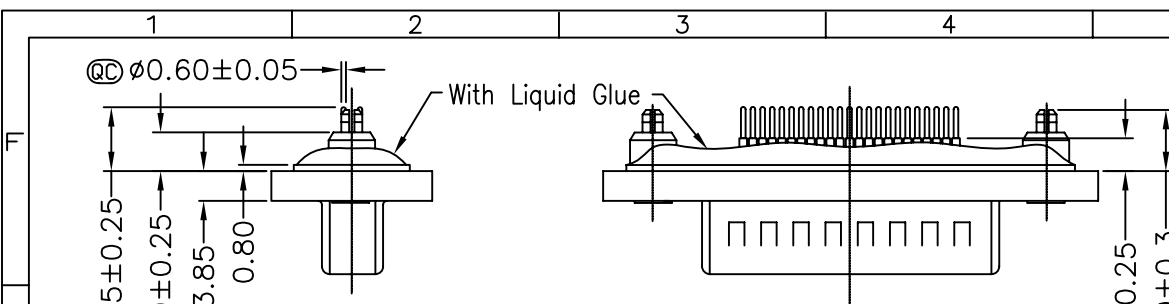
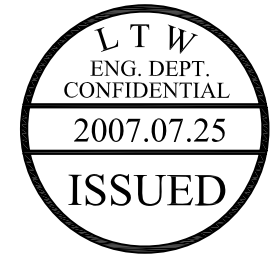


THIS DOCUMENT IS SUBJECT TO CHANGE WITHOUT NOTICE. IT IS CONFIDENTIAL AND A PROPERTY OF LTW. DISCLOSURE TO THIRD PARTY HAS TO BE AUTHORIZED BY LTW.



REV.	ECN NO.	DATE	SIGN	DESCRIPTION

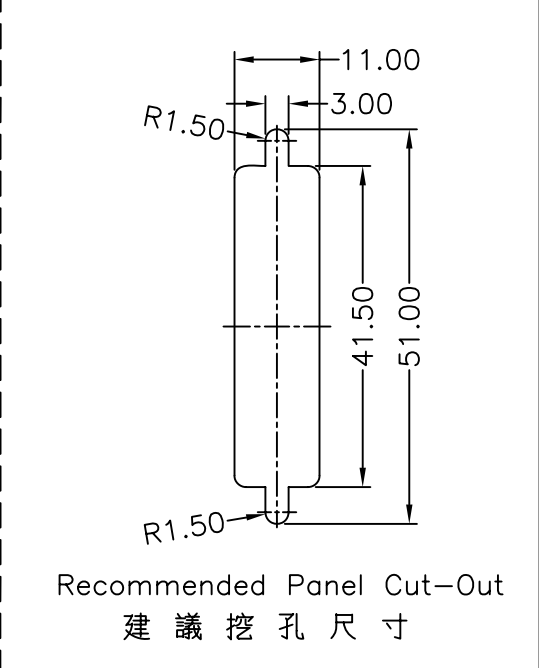


- Note:
- * @C Important Dimension.
 - * Waterproof Rate : IP68
IP68:1M of depth of water 24 hours
(防水等級: IP68)
(IP68:1米水深 24小時)
 - * Do Mating Test After Glued
點膠後, 須作對插測試
 - * HD-SUB Conn. :Black Core , PBT
 - * Plastic Jacket : Black , Nylon+GF
 - * Pin : Copper Alloy , Gold Plated
 - * Ring : Light Blue,Silicone
 - * Screw : Copper Alloy,Nickel Plated,#4-40 UNC
 - * The 180° Board Lock Needs
To Connect The Iron Shell
180°型支架需接鐵殼

Panel Thickness
面板厚度
X(Max.)

Screw L=5.0 For Panel Thickness
Under 1.2mm
適用板厚為1.2mm以下

Screw L=6.0 For Panel Thickness
Between 1.2~2.0mm
適用板厚為1.2~2.0mm



UNIT:mm		TITLE D-SUB Connector 25Pin Male For Panel,PCB 180° Board Lock		 亮泰企業股份有限公司	ITEM NO LTWSDB-25PMMP-SA8001	DRAWN BY Tina	DATE 2007/05/19
		TOLERANCE .X ±0.25 .XX ±0.1 .XXX ±0.05 ANGLES ±1°	SCALE Free		SHEET 1 OF 1	DWG NO LTWSDB-25PMMP-SA8001	CHECKED BY Liu
1	2	3	4	5	CUSTOMER	APPROVED BY Victor	DATE 2007/05/26