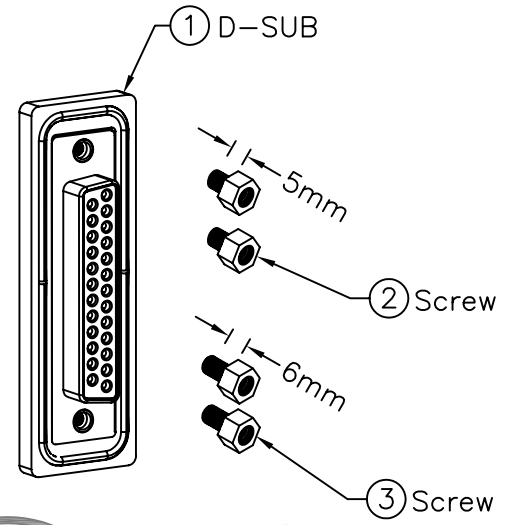
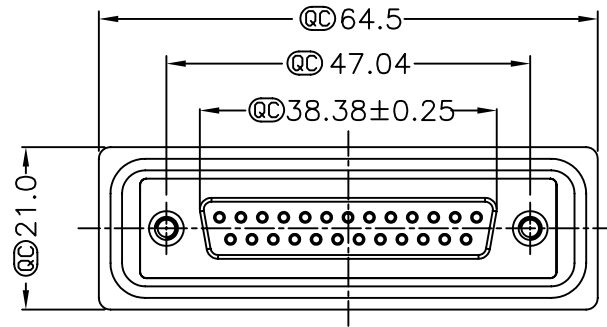
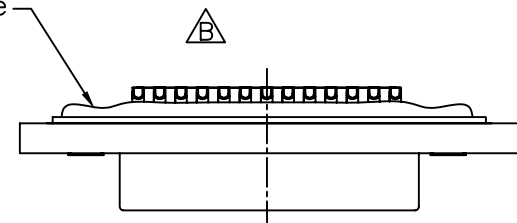
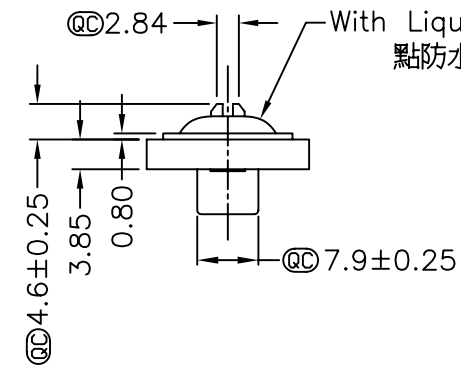


REV. B	ECN NO. LEN-980001	DATE 2009/07/29	SIGN Vicky	DESCRIPTION Remove Pin Dim.
--------	--------------------	-----------------	------------	-----------------------------

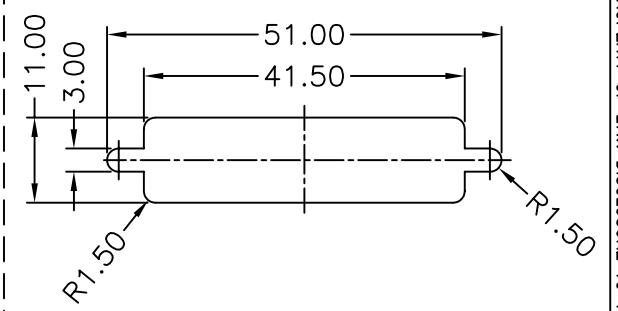


- Note:
- \* @C Important Dimension.
  - \* Waterproof Rate: IP68  
IP68: 1M of depth of water 24 hours  
(防水等級: IP68)  
(IP68: 1米水深24小時)
  - \* Do Mating Test After Glued  
點膠後, 須作對插測試
  - \* Housing: Nylon+GF, Black.
  - \* Connector: PBT, Black.
  - \* Female Pin: Copper Alloy, Gold Plated.
  - \* Ring: Silicone, Light Blue.
  - \* Screw: Copper Alloy, Nickel Plated, #4-40 UNC.
  - \* Applicable Wire Range: 22AWG-26AWG.  
適用電線範圍: 22AWG-26AWG



Screw L=5.0 For Panel Thickness Under 1.2mm  
適用板厚為1.2mm以下

Screw L=6.0 For Panel Thickness Between 1.2~2.0mm  
適用板厚為1.2~2.0mm



Recommended Panel Cut-Out  
建議挖孔尺寸

UNIT:mm		TITLE D-SUB Conn. Panel Screw DB25P F Conn. F Pin
TOLERANCE .X ±0.25 .XX ±0.1 .XXX ±0.05 ANGLES ±1°	SCALE Free	SHEET 1 OF 1
REV. B	SIZE A4	@C : Inspection Item

**LTW**  
亮泰企業股份有限公司

ITEM NO LTWSDB-25PFFS-SL8001	DRAWN BY Vicky	DATE 2009/07/29
DWG NO LTWSDB-25PFFS-SL8001	CHECKED BY Rita	DATE 2009/07/29
CUSTOMER	APPROVED BY Luke	DATE 2009/07/29

THIS DOCUMENT IS SUBJECT TO CHANGE WITHOUT NOTICE. IT IS CONFIDENTIAL AND A PROPERTY OF LTW. DISCLOSURE TO THIRD PARTY HAS TO BE AUTHORIZED BY LTW.