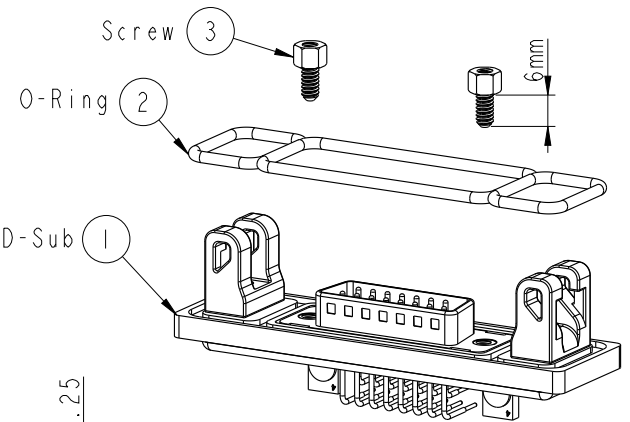


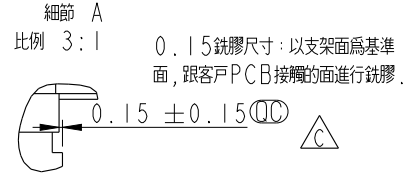
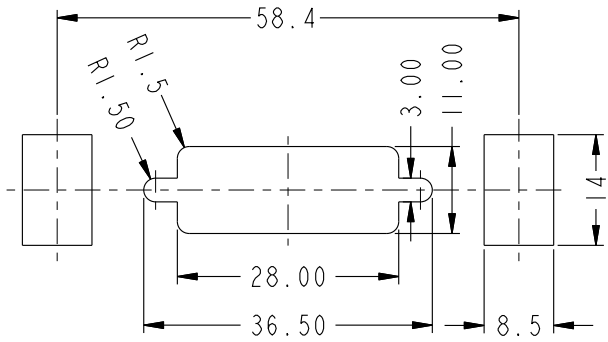
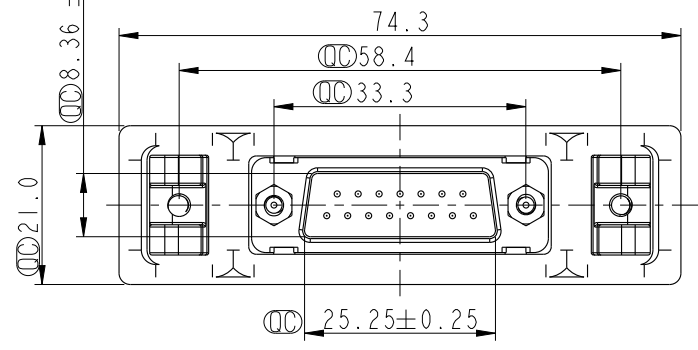
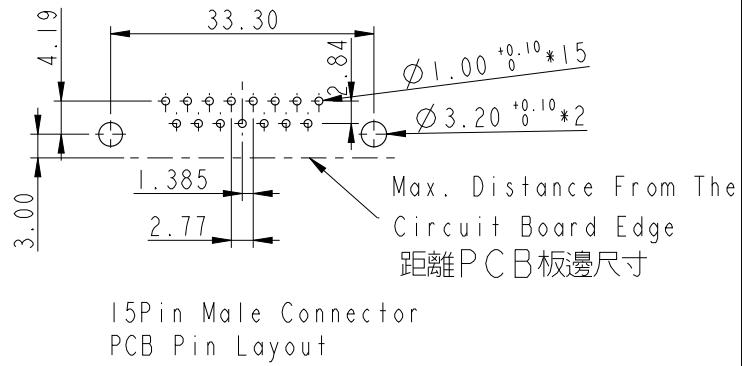
THIS DOCUMENT IS SUBJECT TO CHANGE WITHOUT NOTICE. IT IS CONFIDENTIAL AND A PROPERTY OF Amphenol LTW. DISCLOSURE TO THIRD PARTY HAS TO BE AUTHORIZED BY Amphenol LTW.

REV.	ECN NO.	DATE	SIGN	DESCRIPTION
B	LEN1390083	2013/05/25	Tony_leng	Change 5.5 To 5.7
C	C200380	2020/03/30	JC Chen	$\triangle C$ XI



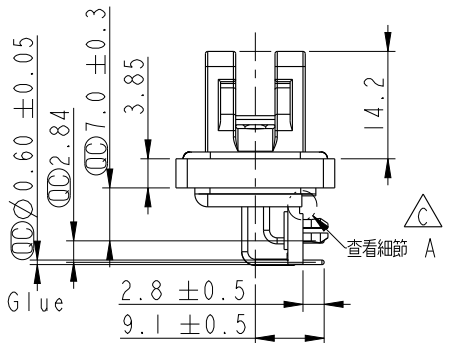
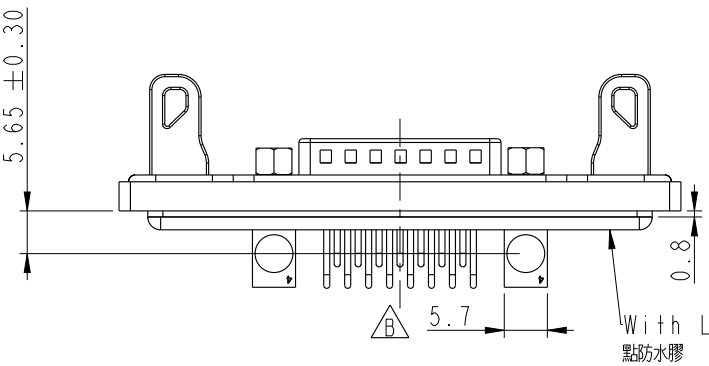
PANEL THICKNESS

Screw L=6.0 For Panel Thickness Between 1.2~2.0mm



NOTE:

- \*  $\text{⌀}$  Important Dimension.
- \* Materials:
  - Panel : Zinc
  - Panel Link : Zinc
  - Screw : Stainless, #4-40 UNC
  - O-Ring : Silicone Black
  - Insulator : PBT
  - Shell : Cold Rolled Steel
  - Contact : Copper Alloy
  - Board Lock : Copper Alloy
- \* Finishes:
  - Panel : Nickel Plated
  - Panel Link : Nickel Plated
  - Board Lock : Nickel Plated
  - Shell : Nickel Plated
  - Contact : Gold Flash
- \* Waterproof Rate : IP68  
IP68: 1M of depth of water 24 hours



UNIT: mm

TOLERANCE	
.X	±0.25
.XX	±0.1
.XXX	±0.05
ANGLES	±1°

TITLE D-SUB CONN PANEL QUICK DB15P M CONN M PIN			
SCALE	SIZE	SHEET	OF
1:1	A4	1	1
REV.	WC-REV.	$\text{⌀}$ : Inspection item	
C	A.4		

**Amphenol LTW**  
安費諾亮泰企業股份有限公司

ITEM NO.	SDB-15PMMP-QB8001
DWG NO.	SDB-15PMMP-QB8001
CUSTOMER	ALTW

DRAWN BY	Tony_leng
CHECKED BY	Yulong
APPROVED BY	Victor

DATE	2013/05/25
DATE	2013/05/25
DATE	2013/05/25