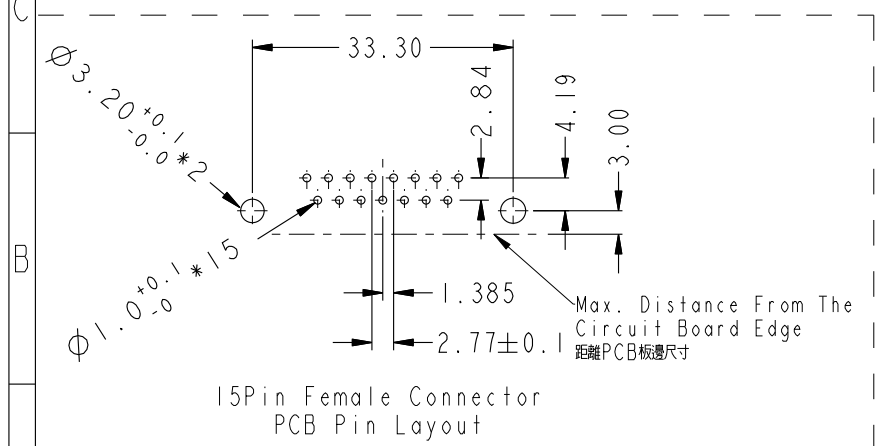
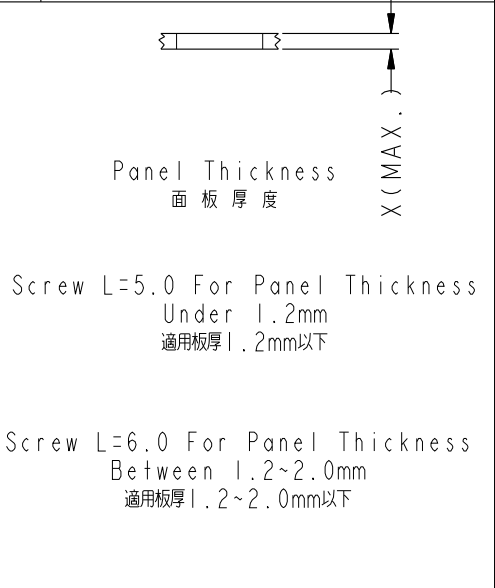
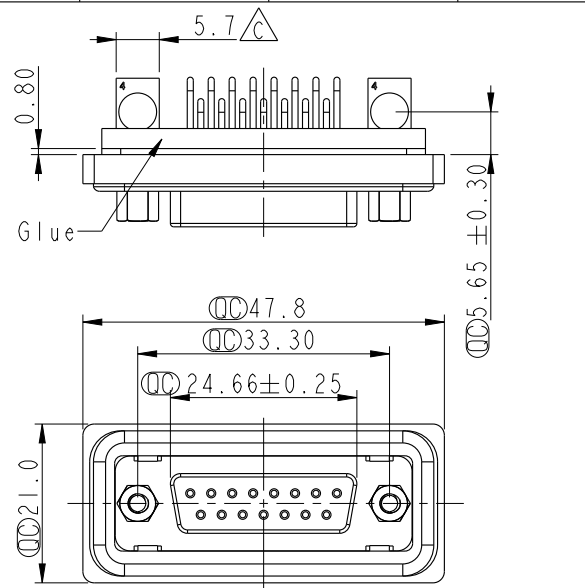
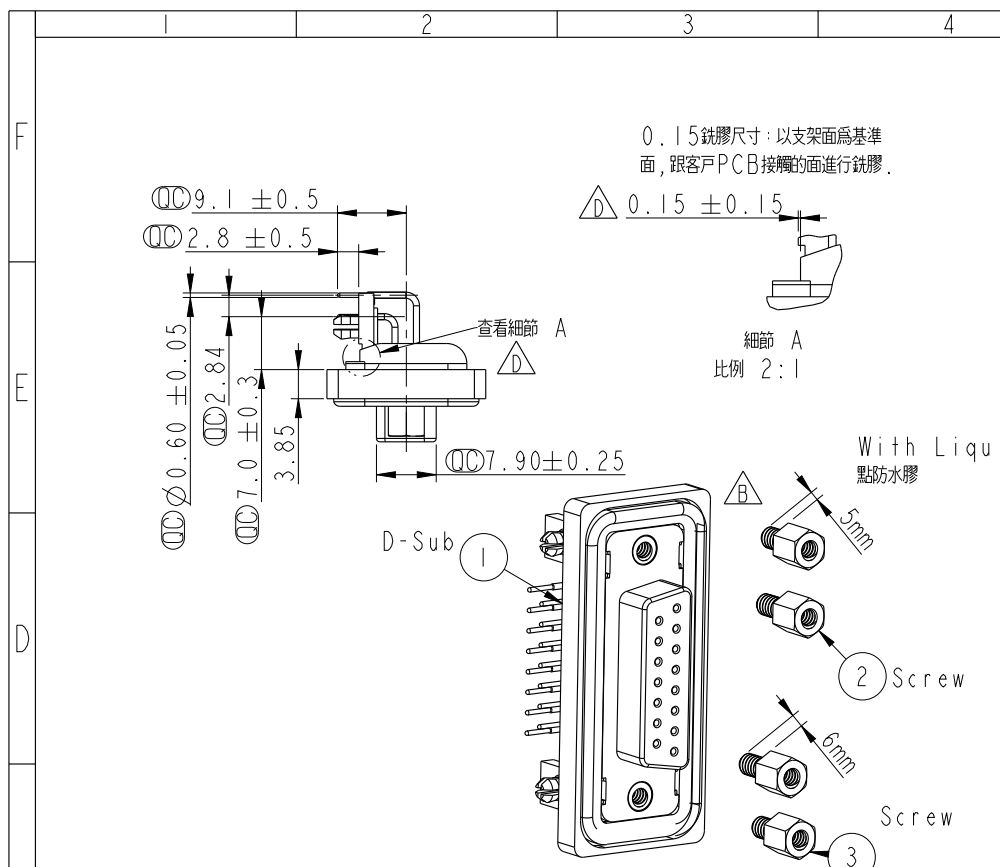
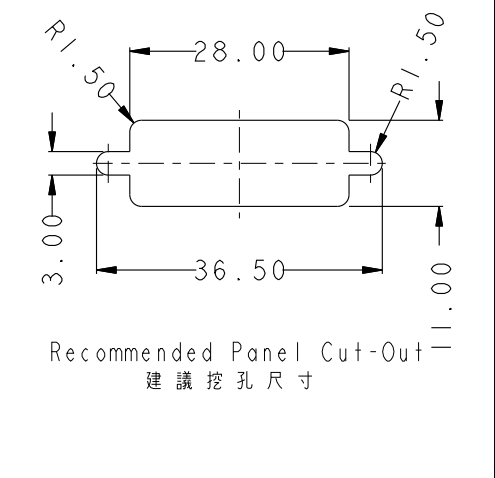


THIS DOCUMENT IS SUBJECT TO CHANGE WITHOUT NOTICE. IT IS CONFIDENTIAL AND A PROPERTY OF Amphenol LTW. DISCLOSURE TO THIRD PARTY HAS TO BE AUTHORIZED BY Amphenol LTW.

REV.	ECN NO.	DATE	SIGN	DESCRIPTION
B	LE3-710136	2006/12/14	DongYaLi	Change DOR0023S170 To DOR00010015 And Move DOR00010015 To ZSE00100560
C	LEN1390082	2013/05/25	Tony_leng	Change Dimensions
D	C200380	2020/03/30	JC Chen	$\triangle D$ XI



- Note:
- * \varnothing Important Dimension.
 - * Waterproof Rate : IP68
IP68: 1M of depth of water 24 hours (防水等級: IP68)
IP68: 1米水深 24小時)
 - * Do Mating Test After Glued 點膠後，須作對插測試
 - * D-SUB Conn. : Black Core, PBT
 - * Plastic Jacket : Black, Nylon+GF
 - * Pin: Copper Alloy, Gold Plated
 - * Ring: Light Blue, Silicone
 - * Screw: Copper Alloy, Nickel Plated, #4-40 UNC
 - * The 90° Board Lock Needs To Connect The Iron Shell L型支架需接鐵殼



UNIT: mm		TITLE DB15/F Conn., Panel, PCB 90° Add Board Lock
TOLERANCE .X ± 0.25 .XX ± 0.1 .XXX ± 0.05 ANGLES $\pm 1^\circ$	SCALE 1:1	SIZE A4
	REV. D	SHEET 1 OF 1
	WC-REV. A.4	\varnothing : Inspection item

Amphenol LTW
安費諾亮泰企業股份有限公司

ITEM NO. SDB-15PFFP-SB8001	DRAWN BY Tony_leng	DATE 2013-05-25
DWG NO. SDB-15PFFP-SB8001	CHECKED BY Yulong	DATE 2013-05-25
CUSTOMER ALTW	APPROVED BY Victor	DATE 2013-05-25