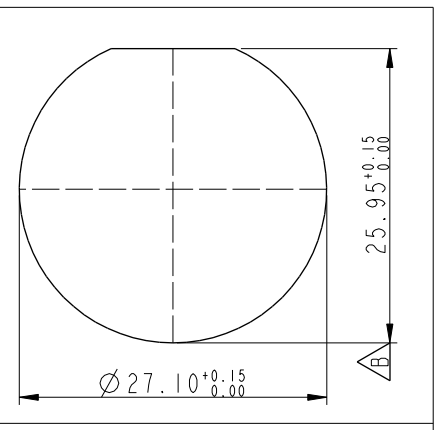
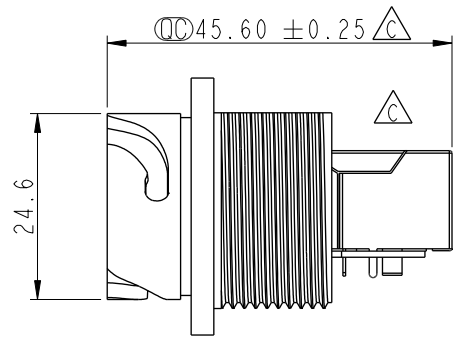
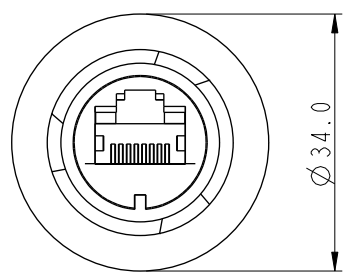
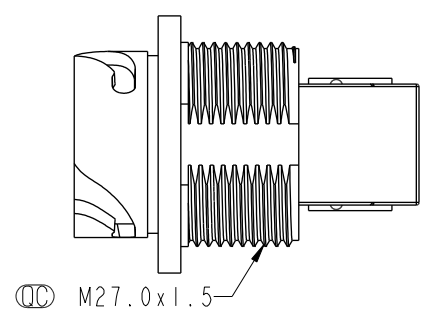
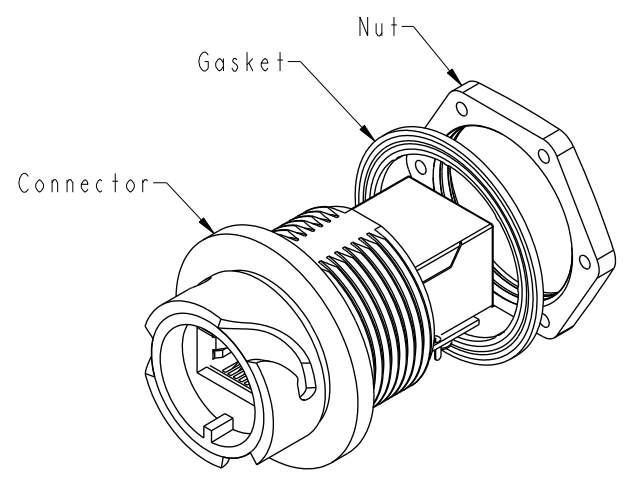


THIS DOCUMENT IS SUBJECT TO CHANGE WITHOUT NOTICE. IT IS CONFIDENTIAL AND A PROPERTY OF Amphenol LTW. DISCLOSURE TO THIRD PARTY HAS TO BE AUTHORIZED BY Amphenol LTW.

REV.	ECN NO.	DATE	SIGN	DESCRIPTION
D	LEN1610289	2016/01/13	Ruru	Change Note
E	C190405	2019/03/18	Ruru	Modify Note
F	C220801	2022/06/08	Vicky	△ F X2



- Note:**
- \* RoHS Compliant
  - \* Ⓞ Important dimension
  - \* Waterproof rate: IPX7, unmated
  - \* Connector Housing: Thermoplastic, Black, RJ45 jack, shielded
  - \* Nut: Thermoplastic, Black
  - \* Gasket: Rubber, Black
  - \* For panel thickness max: 9.0mm
  - \* Gasket and nut are packed separately in pe bag

Recommended Panel Cut-Out

UNIT: mm		TITLE
TOLERANCE		RJ, ODVA PLASTIC, C5E SHLD REAR FASTENED, F, PNL JACK S, 3LOCK
.X ±0.25		SCALE 1:1
.XX ±0.1		SIZE A4
.XXX ±0.05		SHEET 1 OF 1
ANGLES ±1°		REV. F
		WC-REV. B.7
		Ⓞ: Inspection item

**Amphenol LTW**  
安費諾亮泰企業股份有限公司

ITEM NO	DRAWN BY	DATE
ROP-5SRFFH-TCU7001	Ruru	2019-03-18
DWG NO	CHECKED BY	DATE
ROP-5SRFFH-TCU7001	Rita	2019-03-18
CUSTOMER	APPROVED BY	DATE
ALTW	Max	2019-03-18