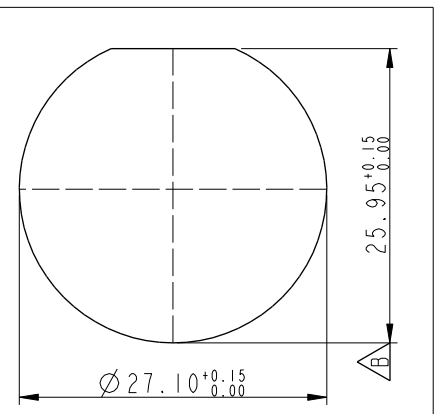
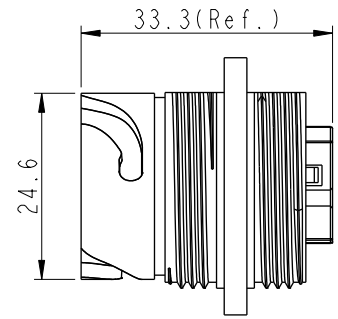
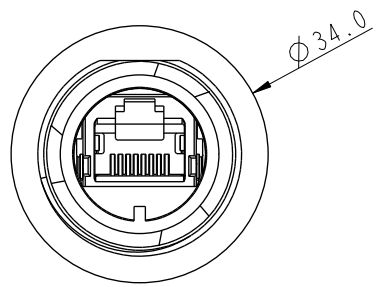
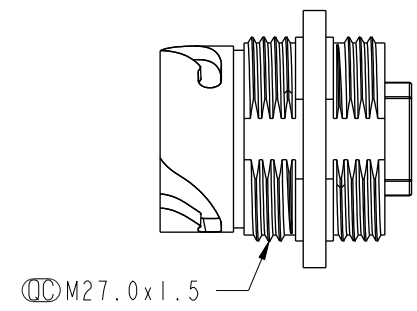
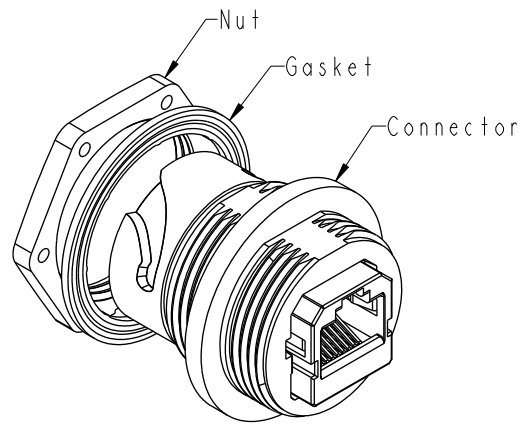


THIS DOCUMENT IS SUBJECT TO CHANGE WITHOUT NOTICE. IT IS CONFIDENTIAL AND A PROPERTY OF AMPHENOL LTW. DISCLOSURE TO THIRD PARTY HAS TO BE AUTHORIZED BY AMPHENOL LTW.

REV.	ECN NO.	DATE	SIGN	DESCRIPTION
B	LEN1370006	2013/07/06	Cary	Change Note & Panel Cut-out
C	LEN1610283	2016/01/12	Ruru	Change Note
D	C220801	2022/06/08	Vicky	$\triangle D$ X2



Recommended Panel Cut-Out

- $\triangle D$ Note:
- * RoHS Compliant
 - * CC Important dimension
 - * Waterproof rate: IPX7, mated
 - * Connector
 - Housing: Thermoplastic, Black, RJ45 jack, shielded
 - * Nut: Thermoplastic, Black
 - $\triangle C$ * Gasket: Rubber, Black
 - * Gasket and nut are packed separately in pe bag

UNIT: mm			TITLE RJ, ODVA PLASTIC, C5E SHLD DBL FASTENED, F, PNL JACK S, 3LOCK
TOLERANCE .X ±0.25 .XX ±0.1 .XXX ±0.05 ANGLES ±1°	SCALE 1:1	SIZE A4	SHEET 1 OF 1
REV. D	WC-REV. B.6	CC : Inspection item	

Amphenol LTW
安費諾亮泰企業股份有限公司

ITEM NO. ROP-5SDFFH-TCM7001	DRAWN BY Ruru	DATE 2016-01-12
DWG NO. ROP-5SDFFH-TCM7001	CHECKED BY Rita	DATE 2016-01-12
CUSTOMER ALTW	APPROVED BY Lisa	DATE 2016-01-12