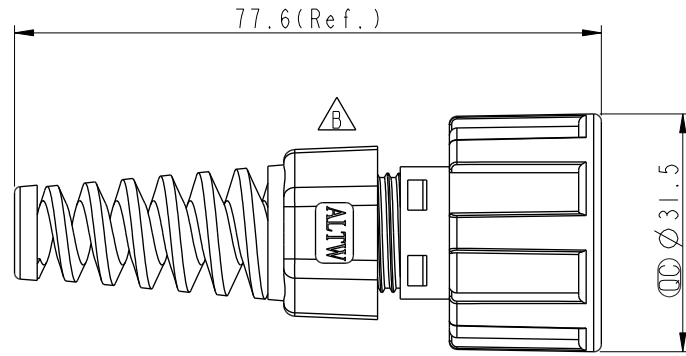
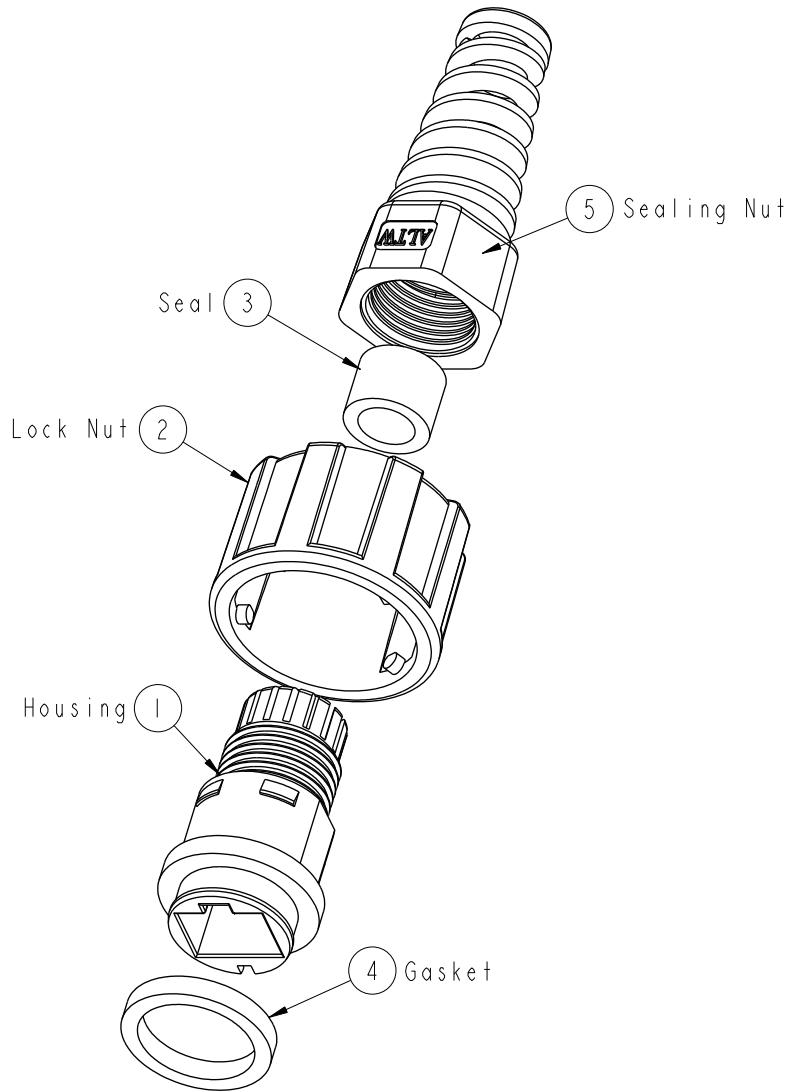


REV.	ECN NO.	DATE	SIGN	DESCRIPTION
B	LEN1540073	2015/03/25	Ruru	Change Logo
C	C201856	2020/11/25	Vicky	△*2



- △ Note:
- * ∅ Important Dimension
 - * Waterproof Rate: IP67, Mated
 - * Housing: Thermoplastic, Black
 - * Gasket: Rubber, Gray
 - * Lock Nut: Thermoplastic, Black
 - * Sealing Nut: Thermoplastic, Black
 - * Seal: Rubber, Gray
 - * Seal for cable OD $\varnothing 4.5\text{mm} \sim \varnothing 7.5\text{mm}$
 - * One Set Unassembled in One PE Bag

UNIT: mm			TITLE RJ, ODVA PLASTIC, NONE CABLE W/SR, M, FI COMPLETED, 3LOCK	△
TOLERANCE .X ±0.25 .XX ±0.1 .XXX ±0.05 ANGLES ±1°			SCALE 1:1	SIZE A4
			REV. C	WC-REV. A.8
			SHEET 1 OF 1	
			∅: Inspection item	

Amphenol LTW
安費諾亮泰企業股份有限公司

ITEM NO. ROP-00AMMA-TLM7001	DRAWN BY Ruru	DATE 2015-03-25
DWG NO. ROP-00AMMA-TLM7001	CHECKED BY Rita	DATE 2015-03-25
CUSTOMER ALTW	APPROVED BY Lion	DATE 2015-03-25

THIS DOCUMENT IS SUBJECT TO CHANGE WITHOUT NOTICE. IT IS CONFIDENTIAL AND A PROPERTY OF Amphenol LTW. DISCLOSURE TO THIRD PARTY HAS TO BE AUTHORIZED BY Amphenol LTW.