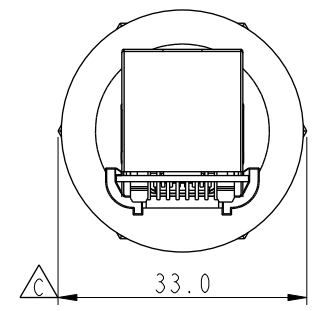
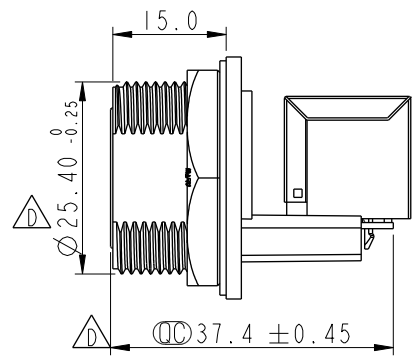
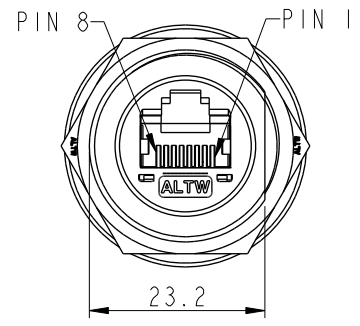
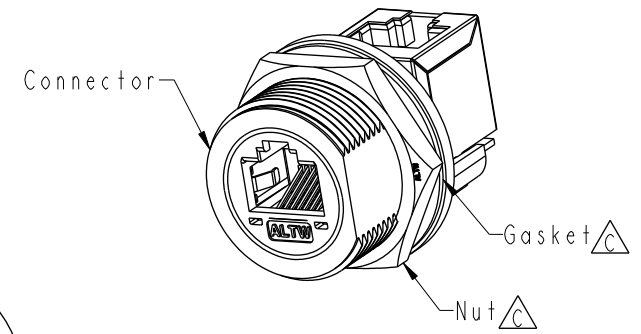
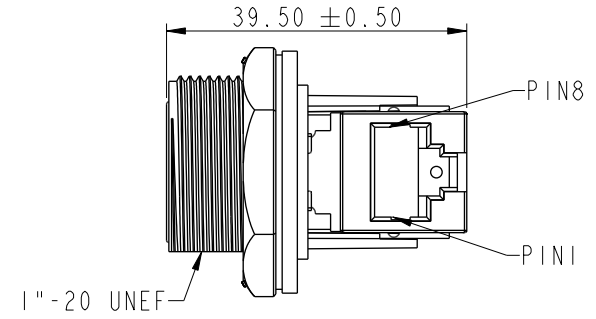
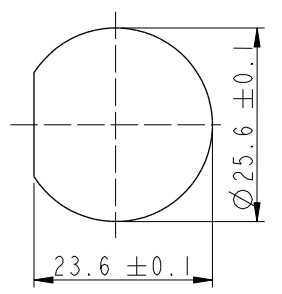


THIS DOCUMENT IS SUBJECT TO CHANGE WITHOUT NOTICE. IT IS CONFIDENTIAL AND A PROPERTY OF AMPHENOL LTW. DISCLOSURE TO THIRD PARTY HAS TO BE AUTHORIZED BY AMPHENOL LTW.

REV.	ECN NO.	DATE	SIGN	DESCRIPTION
D	LEN1810030	2017/11/29	Jalam	Modify The Tolerance
E	C190405	2019/03/15	Ruru	Modify Note
F	C220800	2022/06/02	Vicky	△ F X2



- △ E △ F Note:
- \* RoHS Compliant
  - \* ∅ Important dimension
  - \* Waterproof rate: IPX7, mated
  - \* Connector
  - Housing: Thermoplastic, Black, RJ45 jack, shielded
  - \* Nut: Thermoplastic, Black
  - △ C \* Gasket: Rubber, Gray
  - \* Use with waterproof cap or dust cap
  - Panel thickness max: 2.4mm
  - \* Use without waterproof cap or dust cap
  - Panel thickness max: 3.6mm
  - \* Gasket and nut are packed separately in pe bag



Recommended Panel Cut-Out

UNIT: mm   TOLERANCE .X ±0.25 .XX ±0.1 .XXX ±0.05 ANGLES ±1°	TITLE RJ, D PLASTIC, C5E SHLD FRONT FASTENED, F, PNL JACK R, SCREW			<b>Amphenol LTW</b> 安費諾亮泰企業股份有限公司	ITEM NO RDP-5SPFFV-SCM7001	DRAWN BY Ruru	DATE 2019-03-15
	SCALE 1:1	SIZE A4	SHEET 1 OF 1		DWG NO RDP-5SPFFV-SCM7001	CHECKED BY Rita	DATE 2019-03-15
	REV. F	WC-REV. A.8	∅ Inspection item		CUSTOMER ALTW	APPROVED BY Max	DATE 2019-03-15
					W10814-03-01A2		