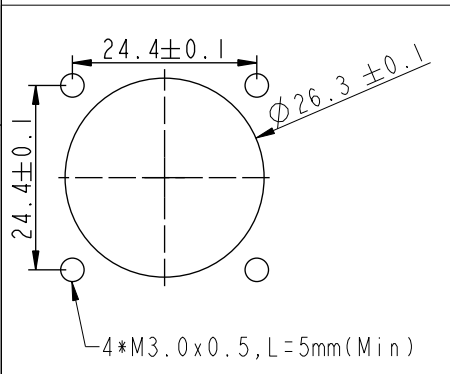
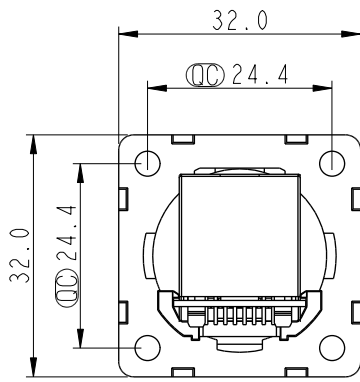
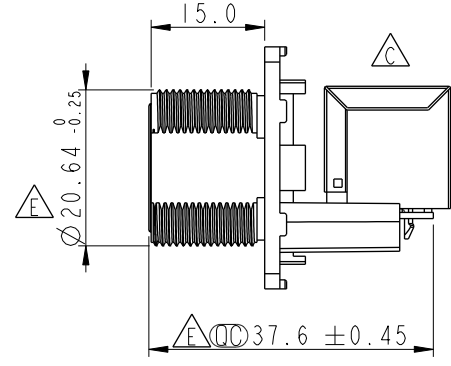
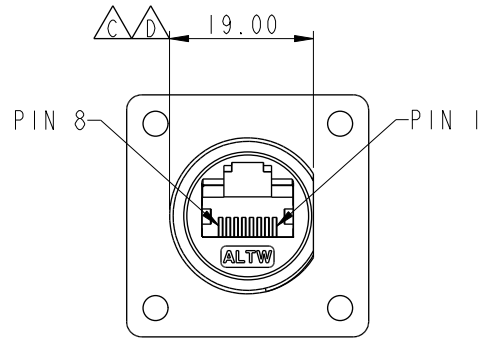
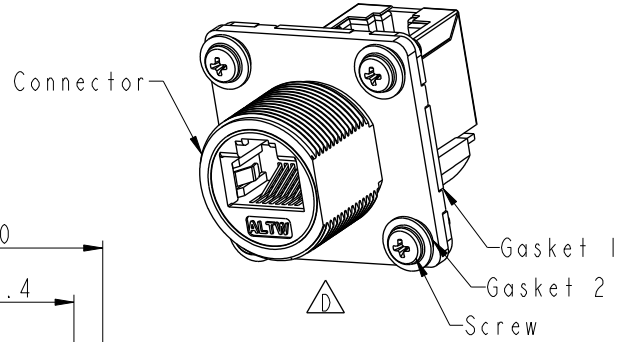
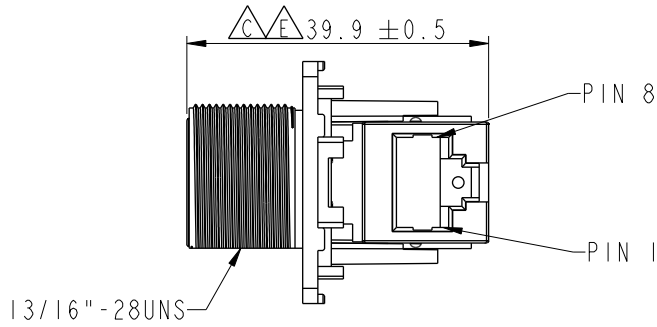


REV.	ECN NO.	DATE	SIGN	DESCRIPTION
E	LEN1810070	2017/11/28	Jalam	Modify The Tolerance
F	C190405	2019/03/15	Ruru	Modify Note
G	C220799	2022/05/27	Vicky	$\triangle G$ X3



Recommended Panel Cut-Out $\triangle C \triangle D$

- $\triangle F \triangle G$ Note:
- * RoHS Compliant
 - * ⌀ Important dimension
 - * Waterproof rate: IPX7, unmated
 - * Connector
 - Housing: Thermoplastic, Black, RJ45 jack, shielded
 - * Gasket 1: Rubber, Gray
 - * Gasket 2: Rubber, Black
 - * Screw: Metal

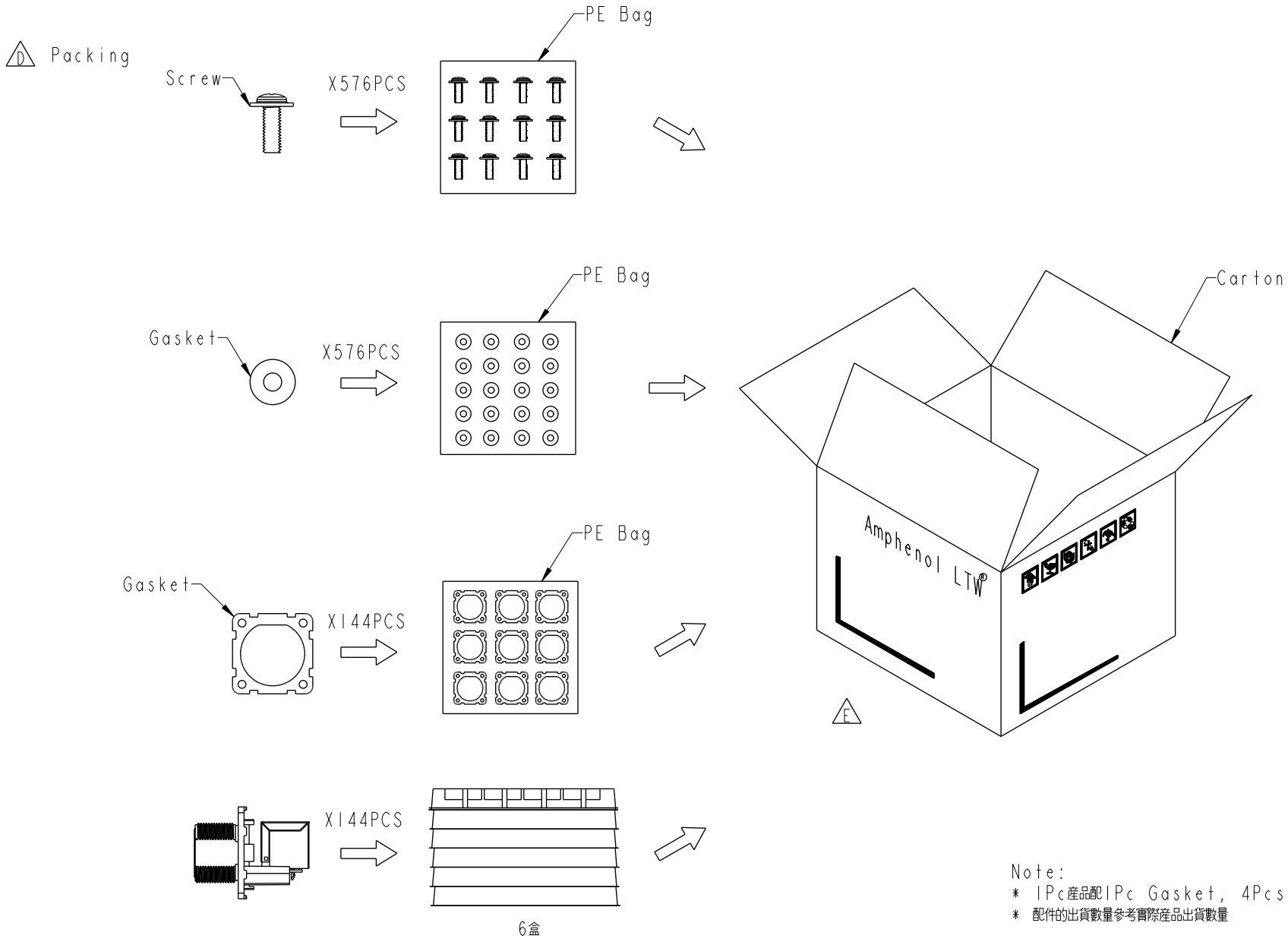
UNIT: mm	⌀	⌀	TITLE RJ, C PLASTIC, C5E SHLD FRONT FASTENED, F, PNL JACK R, SCREW
TOLERANCE .X ±0.25 .XX ±0.1 .XXX ±0.05 ANGLES ±1°	SCALE 1:1	SIZE A4	SHEET 1 OF 2
REV. G	WC-REV. C.4	⌀ : Inspection item	

Amphenol LTW
安費諾亮泰企業股份有限公司

ITEM NO. RCP-5SPFFV-SSU7001	DRAWN BY Ruru	DATE 2019-03-15
DWG NO. RCP-5SPFFV-SSU7001	CHECKED BY Rita	DATE 2019-03-15
CUSTOMER ALTW	APPROVED BY Max	DATE 2019-03-15

THIS DOCUMENT IS SUBJECT TO CHANGE WITHOUT NOTICE. IT IS CONFIDENTIAL AND A PROPERTY OF AMPHENOL LTW. DISCLOSURE TO THIRD PARTY HAS TO BE AUTHORIZED BY AMPHENOL LTW.

THIS DOCUMENT IS SUBJECT TO CHANGE WITHOUT NOTICE. IT IS CONFIDENTIAL AND A PROPERTY OF Amphenol LTW. DISCLOSURE TO THIRD PARTY HAS TO BE AUTHORIZED BY Amphenol LTW.



Note:
 * IPc產品配IPc Gasket, 4Pcs Washer, 4Pcs Screw
 * 配件的出貨數量參考實際產品出貨數量

UNIT: mm			TITLE RJ, C PLASTIC, C5E SHLD FRONT FASTENED, F, PNL JACK R, SCREW	
TOLERANCE .X ±0.25 .XX ±0.1 .XXX ±0.05 ANGLES ±1°			SCALE 1:1	SIZE A4
			REV. G	WC-REV. C.4
				QC: Inspection item
				SHEET 2 OF 2

Amphenol LTW
 安費諾亮泰企業股份有限公司

ITEM NO RCP-5SPFFV-SSU7001	DRAWN BY Ruru	DATE 2019-03-15
DWG NO RCP-5SPFFV-SSU7001	CHECKED BY Rita	DATE 2019-03-15
CUSTOMER ALTW	APPROVED BY Max	DATE 2019-03-15