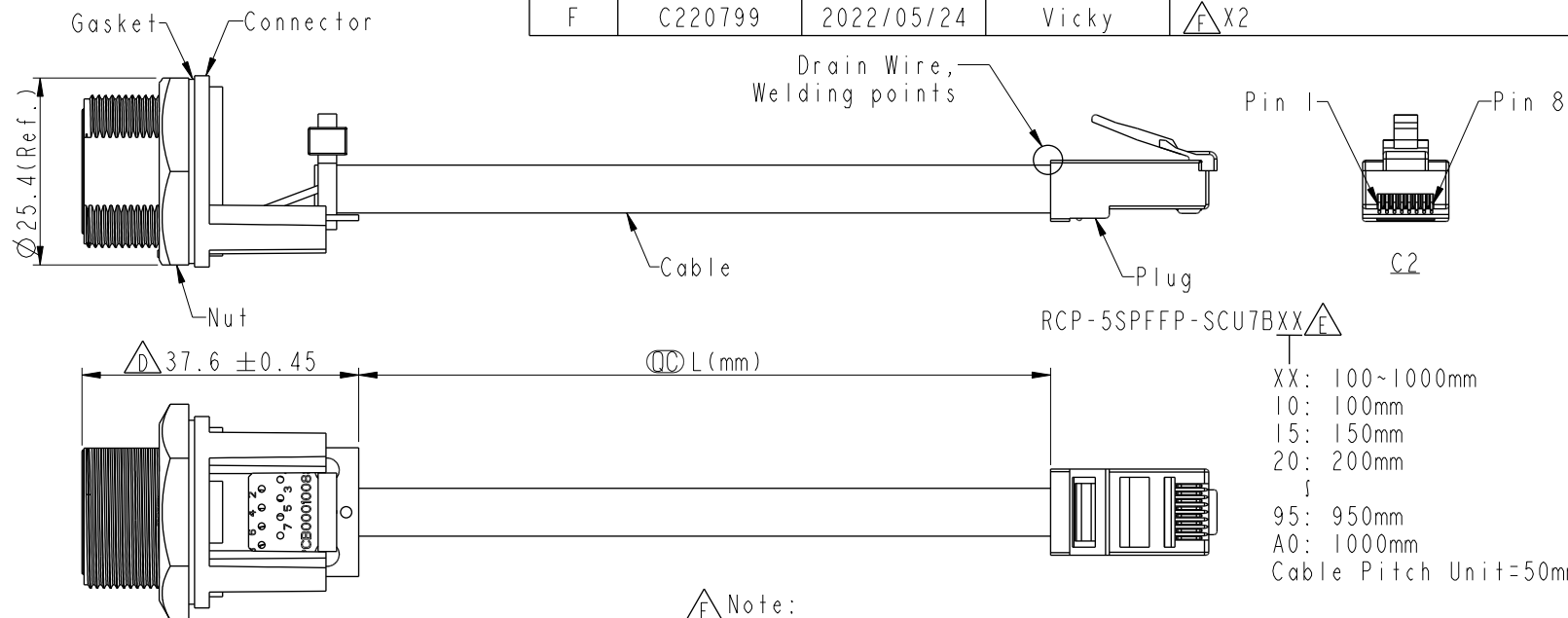
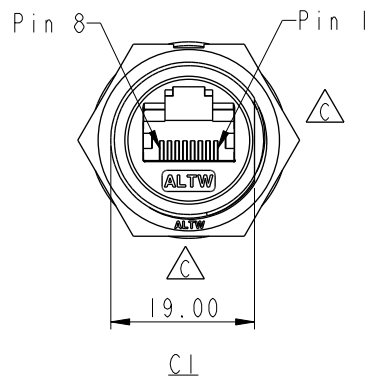


THIS DOCUMENT IS SUBJECT TO CHANGE WITHOUT NOTICE. IT IS CONFIDENTIAL AND A PROPERTY OF AMPHENOL LTW. DISCLOSURE TO THIRD PARTY HAS TO BE AUTHORIZED BY AMPHENOL LTW.

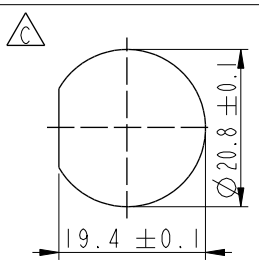
REV.	ECN NO.	DATE	SIGN	DESCRIPTION
D	LEN1810047-054	2017/11/28	Jalam	Change The Tolerance
E	E191612	2019/09/16	Ruru	Drawing Code Unified Writing
F	C220799	2022/05/24	Vicky	$\triangle F$ X2



RCP-5SPFFP-SCU7BXX $\triangle E$

XX: 100~1000mm
 10: 100mm
 15: 150mm
 20: 200mm
 }
 95: 950mm
 A0: 1000mm
 Cable Pitch Unit=50mm

- $\triangle E$ Note:
- * RoHS Compliant
 - * ⌀ Important dimension
 - * C1
 Waterproof rate: IPX7, unmated
 Housing: Thermoplastic, Black, RJ45 jack, Shielded
 Nut: Thermoplastic, Black
 Gasket: Rubber, Gray
 - * C2
 Waterproof rate: Non-Waterproof
 Plug: RJ45, Shielded
 - * Use with waterproof cap or dust cap
 Panel thickness max: 3.0mm
 - * Use without waterproof cap or dust cap
 Panel thickness max: 4.2mm
 - * Gasket and nut are assembled on connectors
 - * Cable: Cat.5E, 24#*4P+MY+D+AL, PVC Jacket, Black, OD6.5mm
 - * Cable length tolerance: 100mm: ± 10 mm
 100mm < L \leq 300mm: ± 15 mm
 300mm < L \leq 1000mm: ± 20 mm



Shield	Drain Wire	接地線	Shield
8	Brown	棕	8
7	White/Brown	白/棕	7
6	Green	綠	6
5	White/Blue	白/藍	5
4	Blue	藍	4
3	White/Green	白/綠	3
2	Orange	橘	2
1	White/Orange	白/橘	1
C1	Wire Color		C2

Twist Twist Twist

Pin Out

UNIT: mm	⌀	⌀	TITLE RJ, C PLASTIC, C5E SHLD FRONT FASTENED, F, PNL W/CABLE, SCREW
TOLERANCE .X ± 0.25 .XX ± 0.1 .XXX ± 0.05 ANGLES $\pm 1^\circ$	SCALE 1:1	SIZE A4	SHEET 1 OF 1
REV. F	WC-REV. B.5	⌀ : Inspection item	

Amphenol LTW 安費諾亮泰企業股份有限公司		ITEM NO RCP-5SPFFP-SCU7BXX	DRAWN BY Ruru	DATE 2019-09-16
		DWG NO RCP-5SPFFP-SCU7BXX	CHECKED BY Rita	DATE 2019-09-16
		CUSTOMER ALTW	APPROVED BY Max	DATE 2019-09-16