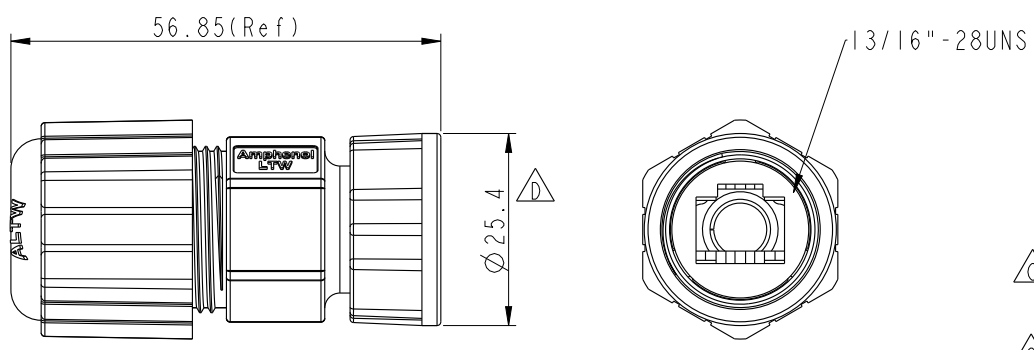
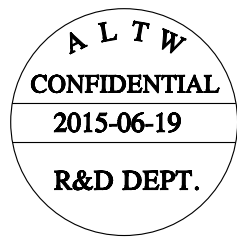
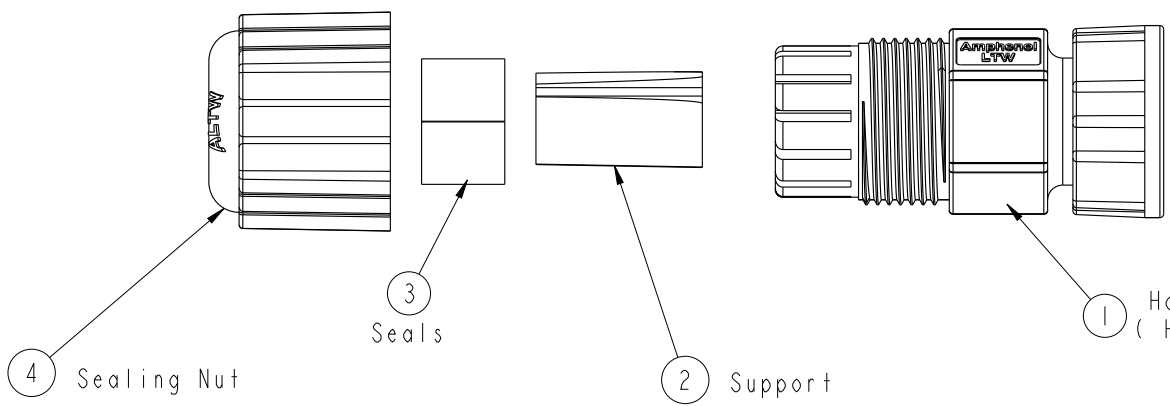
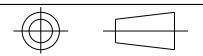


REV.	ECN NO.	DATE	SIGN	DESCRIPTION
B	LEN1420098	2014-02-21	Yulong-wang	Change Screw Nut To Lock Nut; Remove the Pulg & Change the Note
C	LE31490140	2014-09-01	Joyy	Change to 94V0 material
D	LEN1570168	2015-06-19	Tom	Change Tolerance



- Note:
- \*  $\varnothing$  Important Dimension
  - \* Waterproof Rate : IP67 (Mated)
  - \* Housing : Nylon66, Black
  - \* Gasket : Silicone, Gray
  - \* Screw Nut : Nylon+GF, Black
  - \* Support: PVC, Black
  - \* Sealing Nut: Nylon+GF, Black
  - \* Seals: Silicone, Gray.
  - \* Cable OD Range: 5.0~6.5mm
  - \* Mating Nut Torsion Value Range: 5~8kgf-cm
  - \* Sealing Nut Torsion Value Range: 8~15kgf-cm
  - \* One Set Unassembled in One PE Bag.

UNIT : mm



TITLE RJ45 FEED-THRU, 13/16"-28, CSIZE			
SCALE 1:1	SIZE A4	SHEET 1 OF 1	
REV. D	WC-REV. A.19	$\varnothing$ : Inspection item	

**Amphenol LTW**  
安費諾亮泰企業股份有限公司

ITEM NO RCP-00BMMS-SLM7001	DRAWN BY Tom	DATE 2015-06-19
DWG NO RCP-00BMMS-SLM7001	CHECKED BY Jiazhen	DATE 2015-06-19
CUSTOMER ALTW	APPROVED BY Jerry	DATE 2015-06-19

THIS DOCUMENT IS SUBJECT TO CHANGE WITHOUT NOTICE. IT IS CONFIDENTIAL AND A PROPERTY OF Amphenol LTW. DISCLOSURE TO THIRD PARTY HAS TO BE AUTHORIZED BY Amphenol LTW.