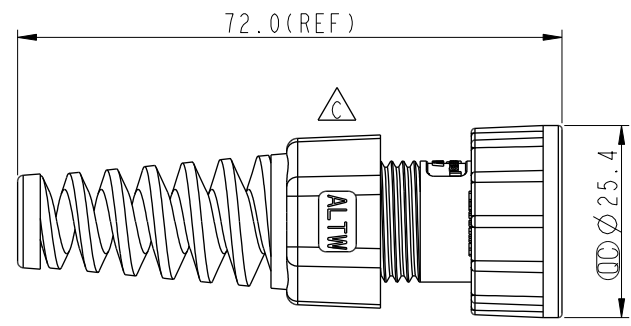
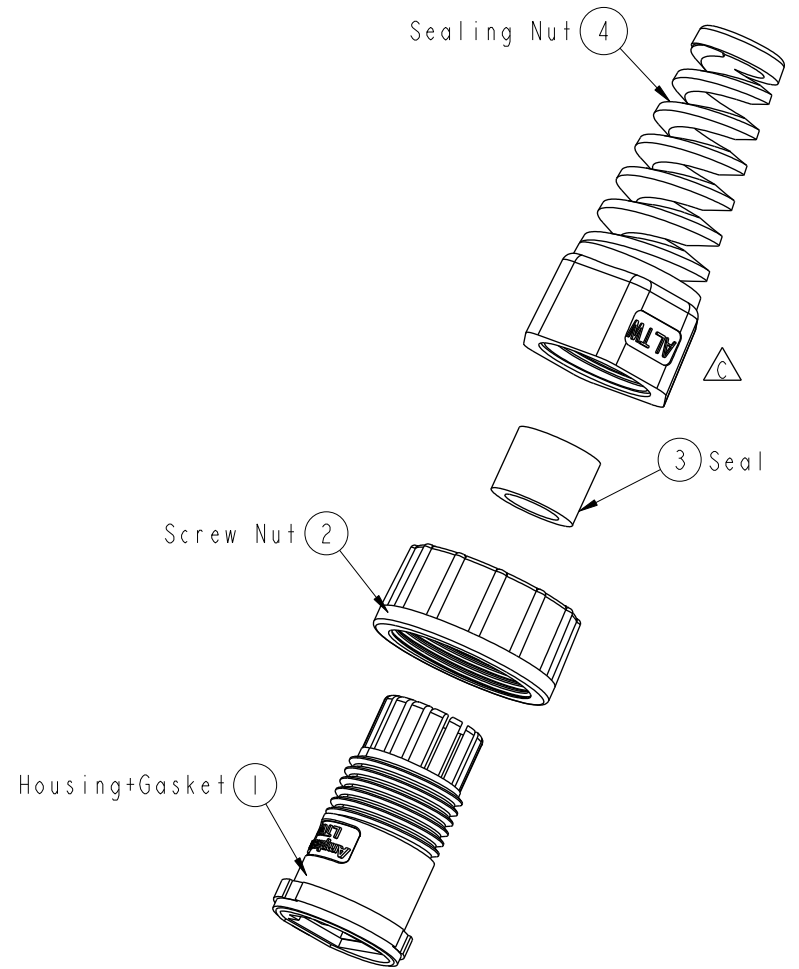


THIS DOCUMENT IS SUBJECT TO CHANGE WITHOUT NOTICE. IT IS CONFIDENTIAL AND A PROPERTY OF AMPHENOL LTW. DISCLOSURE TO THIRD PARTY HAS TO BE AUTHORIZED BY AMPHENOL LTW.

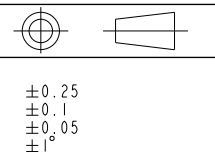
REV.	ECN NO.	DATE	SIGN	DESCRIPTION
B	LE31490138	2014/09/01	Joyy	Change to 94v0 material
C	LEN15A0376	2014/12/24	Jinhai	Change Logo
D	C201856	2020/11/25	Vicky	$\triangle D$ *2



- $\triangle D$ Note:
- * ϕ Important Dimension To Check
 - * Waterproof Rate: IP67, Mated
 - $\triangle B$ * Housing: Thermoplastic, Black
 - * Gasket: Rubber, Gray
 - * Screw Nut: Thermoplastic, Black
 - $\triangle B$ * Sealing Nut: Thermoplastic, Black.
 - * Seal: Rubber, Gray.
 - * Seal For Cable OD $\phi 4.5\text{mm} \sim \phi 7.5\text{mm}$
 - * One Set Unassembled On One PE Bag

UNIT: mm

.X	± 0.25
.XX	± 0.1
.XXX	± 0.05
ANGLES	$\pm 1^\circ$



TITLE RJ, C PLASTIC, NONE CABLE W/SR, M, FI COMPLETED, SCREW			
SCALE 1:1	SIZE A4	SHEET 1 OF 1	
REV. D	WC-REV. A.10	ϕ : Inspection item	

Amphenol LTW
安費諾亮泰企業股份有限公司

ITEM NO. RCP-00AMMA-SLM7001	DRAWN BY Jinhai	DATE 2014-12-24
DWG NO. RCP-00AMMA-SLM7001	CHECKED BY Tom	DATE 2014-12-24
CUSTOMER ALTW	APPROVED BY Jerry	DATE 2014-12-24

DATE 2014-12-24
DATE 2014-12-24
DATE 2014-12-24