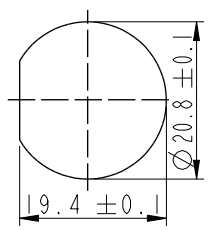
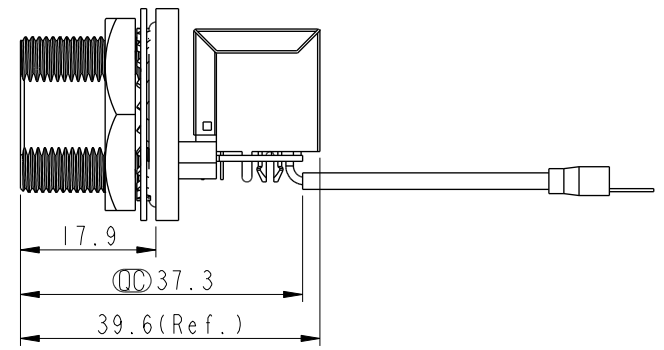
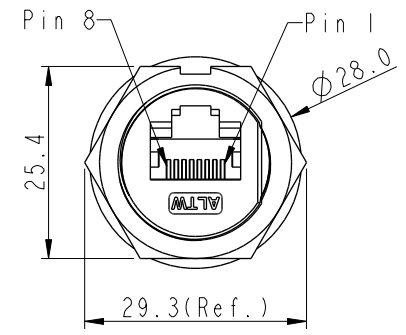
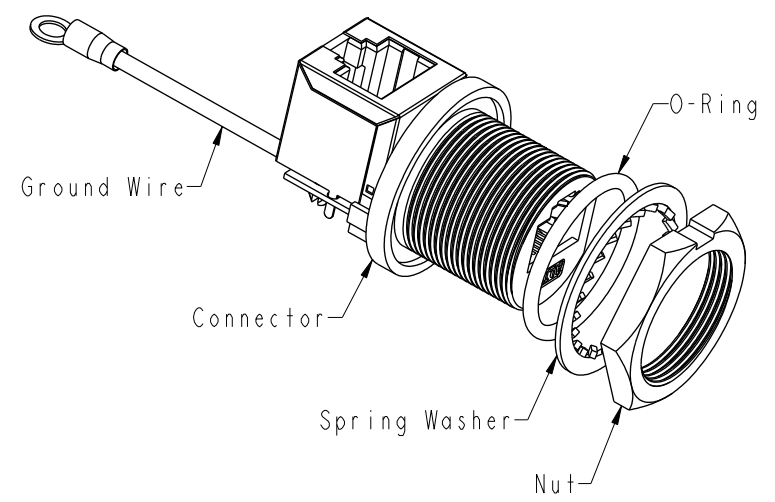
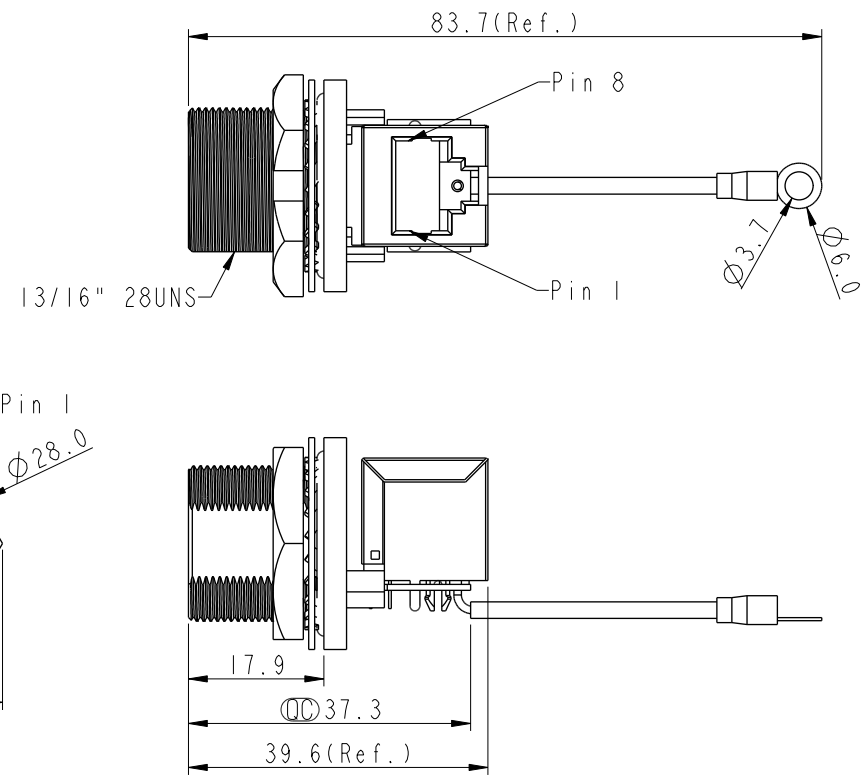


THIS DOCUMENT IS SUBJECT TO CHANGE WITHOUT NOTICE. IT IS CONFIDENTIAL AND A PROPERTY OF Amphenol LTW. DISCLOSURE TO THIRD PARTY HAS TO BE AUTHORIZED BY Amphenol LTW.

REV.	ECN NO.	DATE	SIGN	DESCRIPTION
A	Initial Release	2014/08/12	Tom	Change Rev. I To Rev.A
B	C190405	2019/03/18	Ruru	Modify Note
C	C220801	2022/06/07	Vicky	$\triangle C$ X2



Recommended Panel Cut-Out

- $\triangle B$ $\triangle C$ Note:
- * RoHS Compliant
 - * ⌀ Important dimension
 - * Waterproof rate: IPX7, unmated
 - * Connector Housing: Metal, RJ45 jack, shielded
 - * Nut: Metal
 - * Spring Washer: Metal
 - * O-Ring: Rubber, Gray_Black
 - * Use with waterproof cap or dust cap Panel thickness max: 3.0mm
 - * Use without waterproof cap or dust cap Panel thickness max: 4.2mm
 - * Nut is assembled on connectors
 - * Wire: UL1015, 20AWG, Green

UNIT: mm	⌀	⌒	TITLE RJ, C METAL, C5E SHLD FRONT FASTENED, F, PNL JACK R, SCREW		
TOLERANCE	.X ±0.25	.XX ±0.1	SCALE 1:1	SIZE A4	SHEET 1 OF 1
ANGLES	.XXX ±0.05	±1°	REV. C	WC-REV. A.7	⌀ : Inspection item

Amphenol LTW
安費諾亮泰企業股份有限公司

ITEM NO. RCM-5SPFFV-SCU7002	DRAWN BY Ruru	DATE 2019-03-18
DWG NO. RCM-5SPFFV-SCU7002	CHECKED BY Rita	DATE 2019-03-18
CUSTOMER ALTW	APPROVED BY Max	DATE 2019-03-18