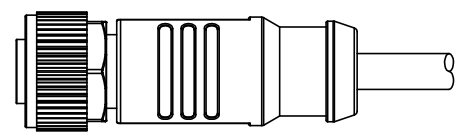
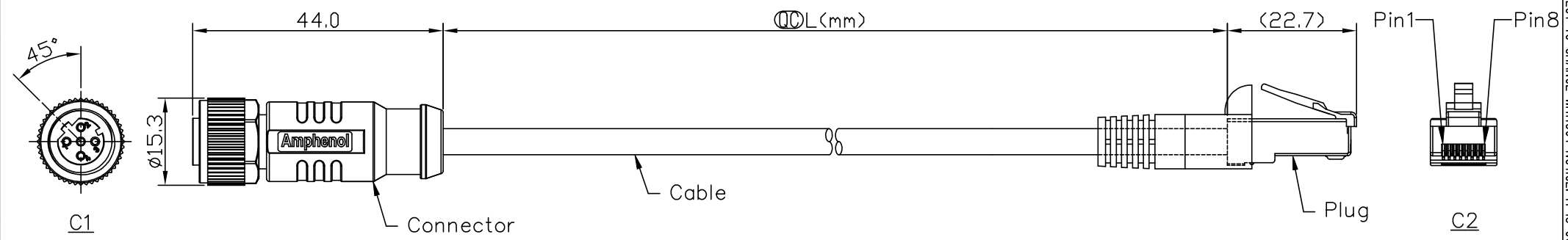


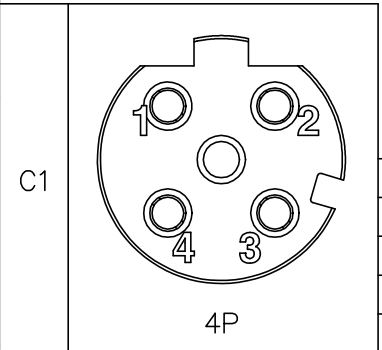
REV.	ECN NO.	DATE	SIGN	DESCRIPTION
C	C201762	2020-11-11	Allen Pan	$\triangle C \times 3$
D	C201809	2020-11-23	Vicky	$\triangle D \times 3$
E	C210237	2021-03-30	Ruru	$\triangle E \times 2$

THIS DOCUMENT IS SUBJECT TO CHANGE WITHOUT NOTICE. IT IS CONFIDENTIAL AND A PROPERTY OF Amphenol LTW. DISCLOSURE TO THIRD PARTY HAS TO BE AUTHORIZED BY Amphenol LTW.



$\triangle D$  MSDSXXFL-SPBML-SEXXX  
 XX: No. Of Pin      XXX: 0.5~40Meters  
 A05: 0.5Meter  
 001: 01Meter  
 002: 02Meters  
 :  
 :  
 040: 40Meters

Note:  $\triangle B \triangle C \triangle D \triangle E$   
 \* RoHS Compliant  
 \*  $\text{Ⓞ}$  Important dimension  
 \* C1  
 Waterproof rate: IPX8, mated 1m/24h  
 Housing: Thermoplastic, Black  
 Pin: Copper alloy, Gold plated  
 O-Ring: Rubber, Gray  
 Nut: Metal  
 Shield: Metal  
 Outer mold: Thermoplastic, Black  
 \* C2  
 Waterproof rate: Non-Waterproof  
 Plug: RJ45, Shielded  
 \* Cable: CAT-5E, FTP, 22#\*2P+Al/MY+D, OD=6.2mm, PU Jacket, Black  
 \* Cable length tolerance: 0.5M < L ≤ 1M: +60/-0 mm  
 1M < L ≤ 3M: +120/-0 mm  
 3M < L ≤ 5M: +160/-0 mm  
 5M < L ≤ 10M: ±100 mm  
 10M < L ≤ 20M: ±200 mm  
 20M < L ≤ 30M: ±300 mm  
 30M < L ≤ 40M: ±500 mm



Shield	Drain	地線	Shield	
4	Green	綠	6	Twist
2	White/Green	白/綠	3	
3	Orange	橘	2	Twist
1	White/Orange	白/橘	1	
C1	Wire Color		C2	
Pin Out				

UNIT: mm  $\text{Ⓞ}$   $\text{Ⓢ}$   
 TOLERANCE  
 ±0.5 mm

TITLE  
 ACC, SEN, D Code, DB-ENDED  
 FM  $\triangle D \triangle E$   
 SCALE Free SHEET 1 OF 1  
 REV. E SIZE A4  $\text{Ⓞ}$ : Inspection Item

**Amphenol LTW**  
 安費諾亮泰企業股份有限公司

ITEM NO  
 DWG NO  $\triangle D$  MSDSXXFL-SPBML-SEXXX  
 CUSTOMER ALTW

DRAWN BY Allen Pan  
 CHECKED BY Sam Ho  
 APPROVED BY Fred Lee

DATE 2020-05-11  
 DATE 2020-05-11  
 DATE 2020-05-11