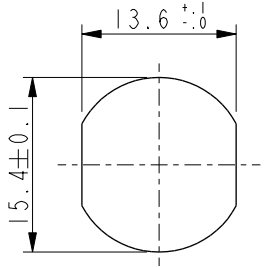
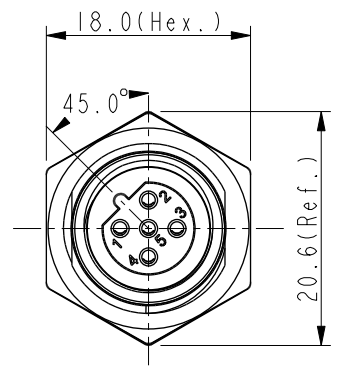
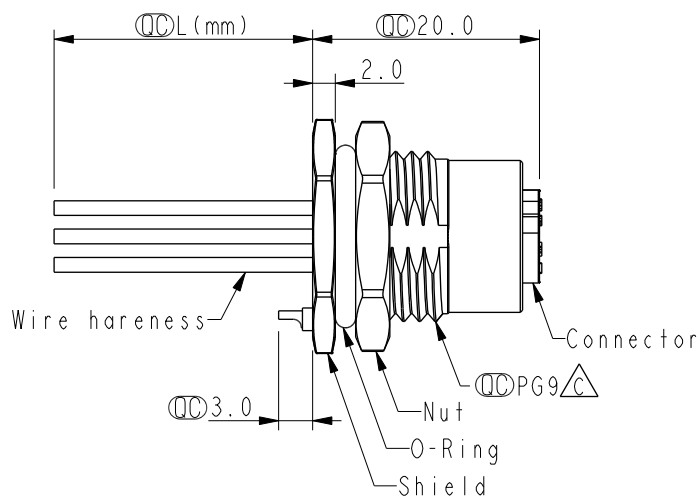
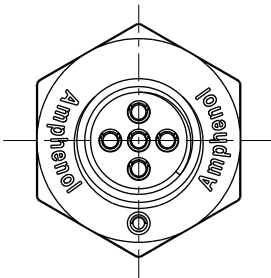


THIS DOCUMENT IS SUBJECT TO CHANGE WITHOUT NOTICE. IT IS CONFIDENTIAL AND A PROPERTY OF Amphenol LTW. DISCLOSURE TO THIRD PARTY HAS TO BE AUTHORIZED BY Amphenol LTW.

REV.	ECN NO.	DATE	SIGN	DESCRIPTION
B	C191682	2019/09/24	Vicky	Update Wire Tolerance
C	C201470	2020/10/06	Ruru	$\triangle C$ X5
D	C210241	2021/04/14	Ruru	$\triangle D$ X3



Recommended Panel Cut-Out



$\triangle B \triangle C \triangle D$   
MSBS-XXPFFC-SF8BXX

XX: No. Of Pin

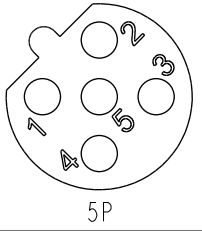
- 10: 100mm
- 15: 150mm
- 20: 200mm
- 95: 950mm
- Cable Pitch Unit: 50mm
- A0: 1000mm
- A5: 1500mm
- Cable Pitch Unit: 100mm
- Wire Length(L): 150~1500mm

Note:  $\triangle B \triangle C \triangle D$

- \* RoHS Compliant
- \*  $\text{⌀}$  Important dimension
- \* Waterproof rate: IPX8, unmated 1m/24h
- \* Connector
- Housing: Thermoplastic, Black
- Pin: Copper alloy, Gold plated
- O-Ring: Rubber, Green
- \* Shield: Metal
- \* Nut: Metal
- \* O-Ring: Rubber, Black
- \* Wire harness: UL1061, 22AWG
- \* For panel thickness max: 4.5mm
- \* O-Ring and nut are assembled on connectors
- \* Wire harness tolerance:
  - 100mm < L ≤ 300mm: ±15mm
  - 300mm < L ≤ 1000mm: ±20mm
  - 1000mm < L ≤ 1500mm: ±50mm

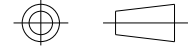
5	Gray	灰
4	Black	黑
3	Blue	藍
2	White	白
1	Brown	棕

Pin #	Wire
	Pin Out



Pin Assignments Front View

UNIT:mm



TITLE			
N SEN, M12 B -SHLD, SCREW RECEPTACLE, F, F, FI/PANEL CRIMP $\triangle D$			
SCALE	SIZE	SHEET OF	
3:2	A4	1 OF 1	
REV.	WC-REV.	$\text{⌀}$ : Inspection item	
D	A.1		

**Amphenol LTW**  
安費諾亮泰企業股份有限公司

ITEM NO	DRAWN BY	DATE
	Vicky	2019-09-24
DWG NO	CHECKED BY	DATE
$\triangle C$ MSBS-XXPFFC-SF8BXX	Rita	2019-09-24
CUSTOMER	APPROVED BY	DATE
ALTW	Max	2019-09-24