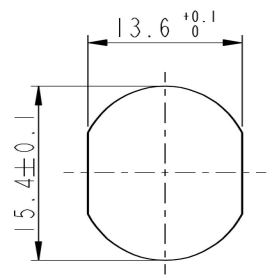
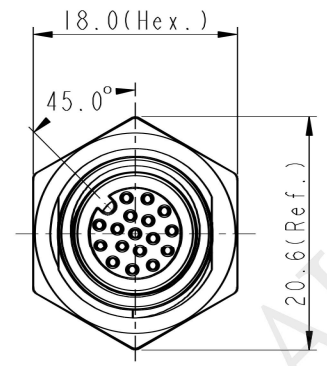
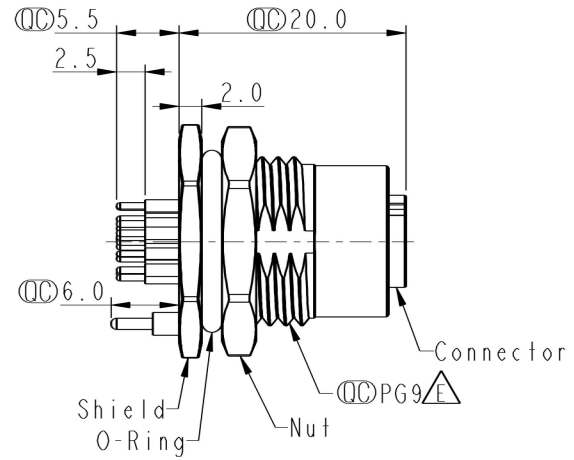
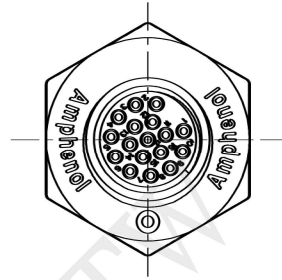
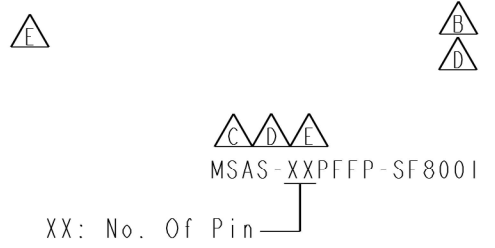


THIS DOCUMENT IS SUBJECT TO CHANGE WITHOUT NOTICE. IT IS CONFIDENTIAL AND A PROPERTY OF Amphenol LTW. DISCLOSURE TO THIRD PARTY HAS TO BE AUTHORIZED BY Amphenol LTW.

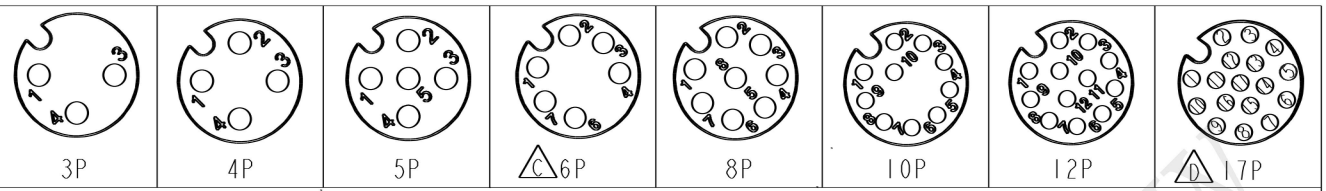
REV.	ECN NO.	DATE	SIGN	DESCRIPTION
E	C201453	2020/10/14	Ruru	X6
F	C210309	2021/03/09	Ruru	X3
G	C220853	2022/06/07	Arvin Chan	X1



Recommended Panel Cut-Out



- Note:
- * RoHS Compliant
 - * Important dimension
 - * Waterproof rate: IPX8, unmated 1m/24h IPX9K, unmated
 - * Connector
 - Housing: Thermoplastic, Black
 - Pin: Copper alloy, Gold plated
 - O-Ring: Rubber, Green
 - * Shield: Metal
 - * Nut: Metal
 - * O-Ring: Rubber, Black
 - * For panel thickness max: 4.5mm
 - * Nut is packed separately in pe bag



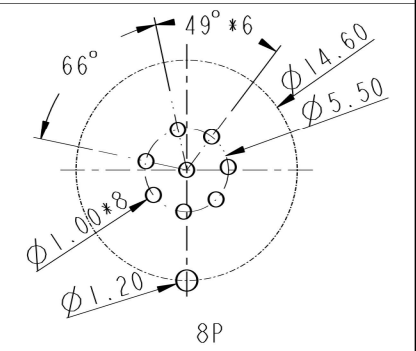
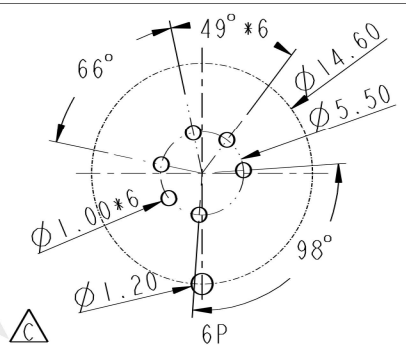
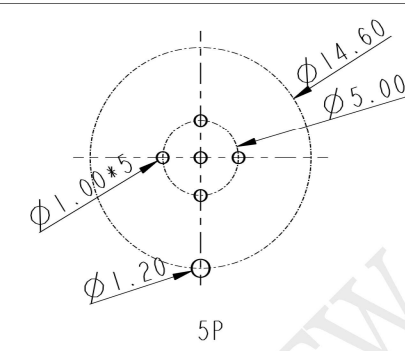
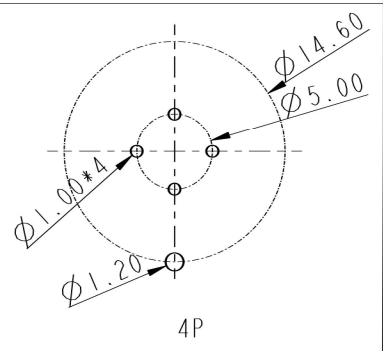
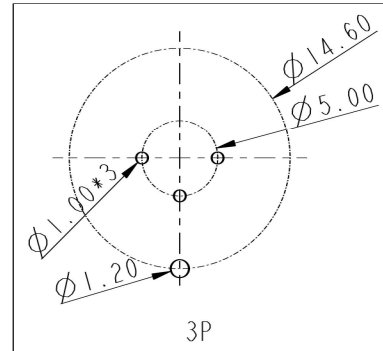
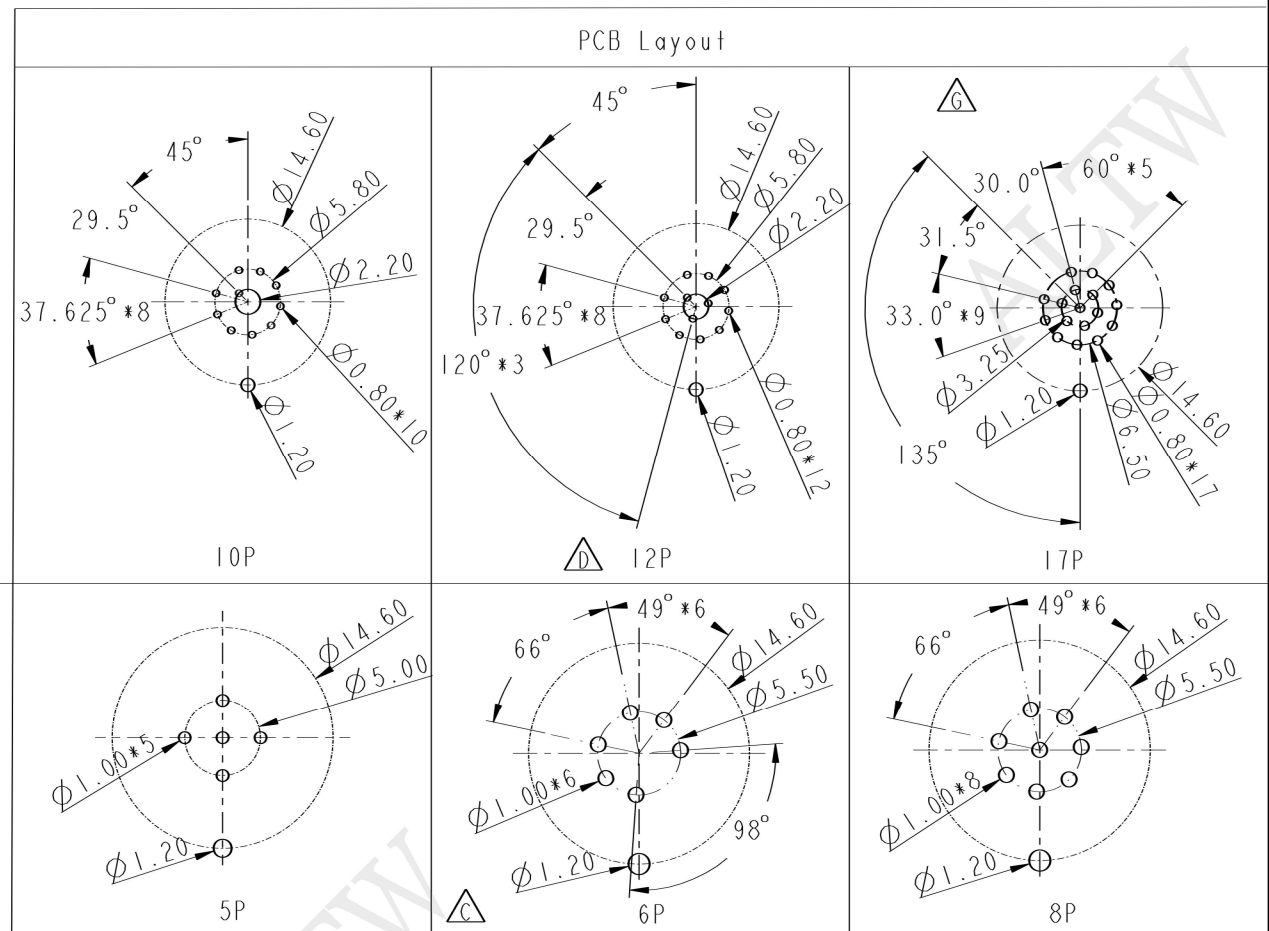
Pin Assignment Front View

UNIT: mm	
TOLERANCE	
.X	±0.25
.XX	±0.1
.XXX	±0.05
ANGLES	±1°

TITLE N SEN, M12 A -SHLD, SCREW RECEPTACLE, F, F, PCB S		
SCALE 2:1	SIZE A4	SHEET 1 OF 2
REV. G	WC-REV. A.5	: Inspection item

Amphenol LTW
安費諾亮泰企業股份有限公司

ITEM NO	DRAWN BY Yulong_wang	DATE 2016-08-09
DWG NO MSAS-XXPFFP-SF8001	CHECKED BY Jinhai	DATE 2016-08-09
CUSTOMER ALTW	APPROVED BY Jerry	DATE 2016-08-09



UNIT: mm		
TOLERANCE	.X	±0.25
	.XX	±0.1
	.XXX	±0.05
ANGLES		±1°

TITLE N SEN, M12 A -SHLD, SCREW RECEPTACLE, F, F, PCB S		
SCALE 2:1	SIZE A4	SHEET 2 OF 2
REV. G	WC-REV. A.4	Inspection item

Amphenol LTW
安費諾亮泰企業股份有限公司

ITEM NO	DWG NO
	MSAS-XXPFFP-SF8001
CUSTOMER	ALTW

DRAWN BY	Yulong_wang
CHECKED BY	Jinhai
APPROVED BY	Jerry

DATE	2016-08-09
DATE	2016-08-09
DATE	2016-08-09