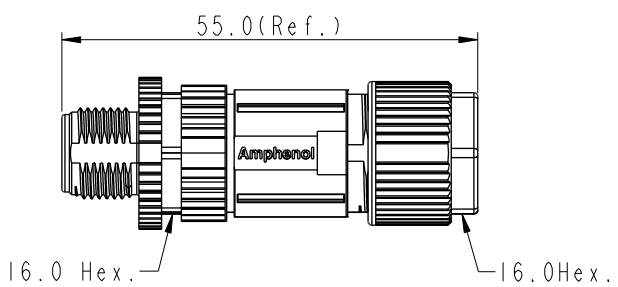
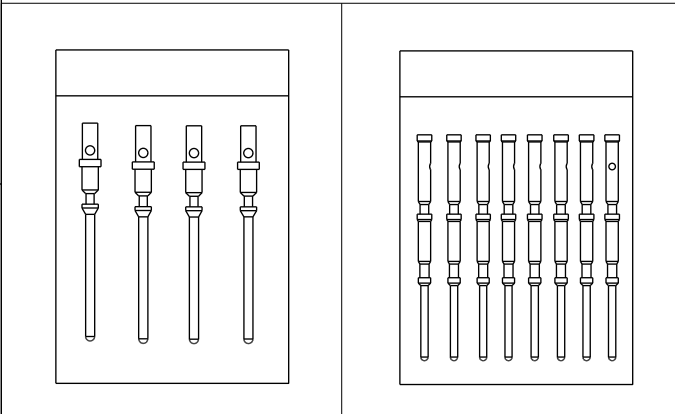
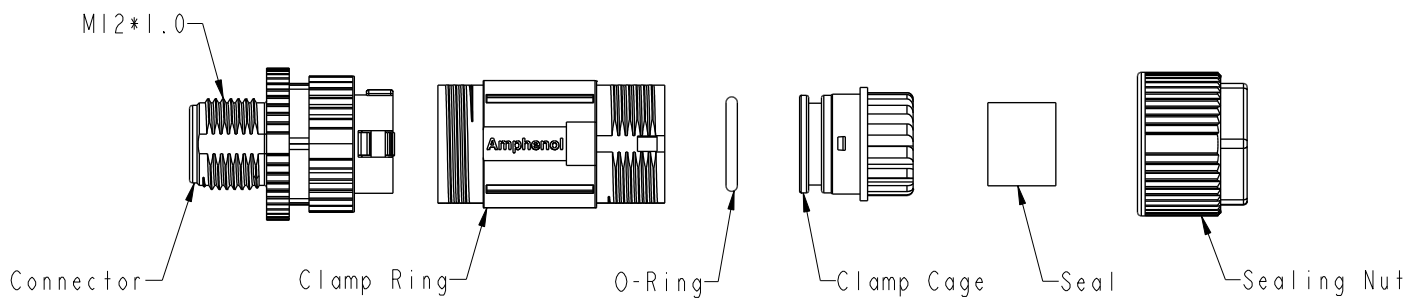


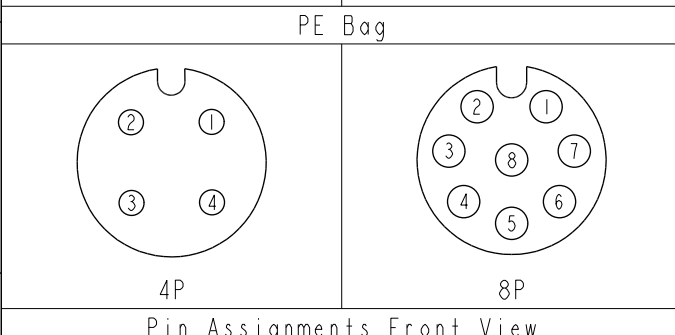
THIS DOCUMENT IS SUBJECT TO CHANGE WITHOUT NOTICE. IT IS CONFIDENTIAL AND A PROPERTY OF Amphenol LTW. DISCLOSURE TO THIRD PARTY HAS TO BE AUTHORIZED BY Amphenol LTW.

8P	22~26	MSAS-08BMMC-SL7001		REV.	ECN NO.	DATE	SIGN	DESCRIPTION
4P	20~24	MSAS-04BMMC-SL7001		C	C201627	2020/10/22	Vicky	\triangle C X3
Contacts	Applicable wire gauge	Item No.	\triangle E	D	C210561	2021/04/15	Vicky	\triangle D X2
				E	C210977	2021/06/23	Vicky	\triangle E X1



\triangle C MSAS-XXBMMC-SL7001
XX: No. Of Pin

- \triangle D Note:
- * RoHS Compliant
 - * $\text{\textcircled{C}}$ Important Dimension
 - * Waterproof rate: IPX7, mated
 - * Connector Housing: Thermoplastic, Black
 - * Pin: Copper alloy, Gold plated
 - * Extension Nut: Metal
 - * Nut: Metal
 - * O-Ring: Rubber, Gray
 - * Clamp Ring: Metal
 - * O-Ring: Rubber, Gray
 - * Clamp Cage: Thermoplastic, Black
 - * Sealing Nut: Metal
 - * Seal: Rubber, Gray, OD: \varnothing 4.0mm~ \varnothing 7.5mm
 - * One set unassembled in one pe bag



UNIT:mm	$\text{\textcircled{C}}$	$\text{\textcircled{C}}$	TITLE
TOLERANCE	$\text{\textcircled{C}}$	$\text{\textcircled{C}}$	N SEN, M12 A -SHLD, SCREW
.X \pm 0.25	$\text{\textcircled{C}}$	$\text{\textcircled{C}}$	CABLE W/O SR, M, M, FI/PANEL CRIMP
.XX \pm 0.1	$\text{\textcircled{C}}$	$\text{\textcircled{C}}$	SCALE
.XXX \pm 0.05	$\text{\textcircled{C}}$	$\text{\textcircled{C}}$	Free
ANGLES \pm 1°	$\text{\textcircled{C}}$	$\text{\textcircled{C}}$	SIZE
	$\text{\textcircled{C}}$	$\text{\textcircled{C}}$	A4
	$\text{\textcircled{C}}$	$\text{\textcircled{C}}$	SHEET
	$\text{\textcircled{C}}$	$\text{\textcircled{C}}$	1 OF 1
	$\text{\textcircled{C}}$	$\text{\textcircled{C}}$	REV.
	$\text{\textcircled{C}}$	$\text{\textcircled{C}}$	E
	$\text{\textcircled{C}}$	$\text{\textcircled{C}}$	WC-REV.
	$\text{\textcircled{C}}$	$\text{\textcircled{C}}$.0
	$\text{\textcircled{C}}$	$\text{\textcircled{C}}$	$\text{\textcircled{C}}$: Inspection item

Amphenol LTW
安費諾亮泰企業股份有限公司

ITEM NO	DRAWN BY	DATE
	Xiaofeng	2019-08-09
DWG NO	CHECKED BY	DATE
$\text{\textcircled{C}}$ MSAS-XXBMMC-SL7001	Li-Feng	2019-08-09
CUSTOMER	APPROVED BY	DATE
ALTW	Jerry	2019-08-09