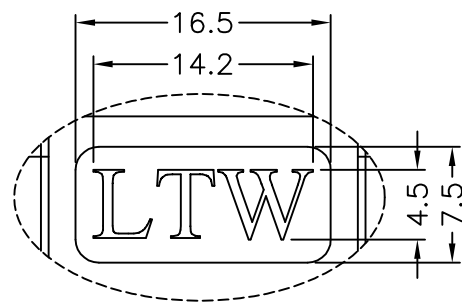
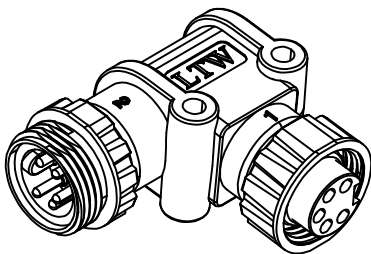
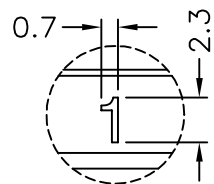
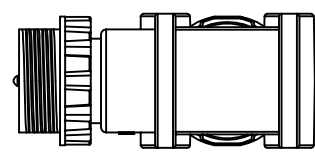


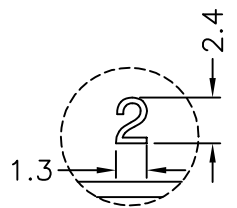
5	6	7	8
REV.	ECN NO.	DATE	SIGN
			DESCRIPTION



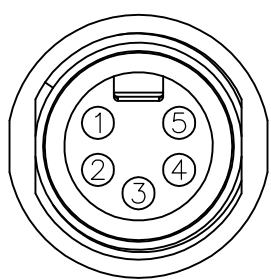
Detail C  
Scale 3:1



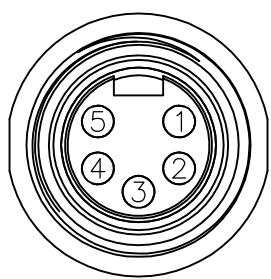
Detail A  
Scale 3:1



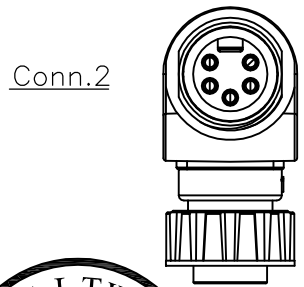
Detail B  
Scale 3:1



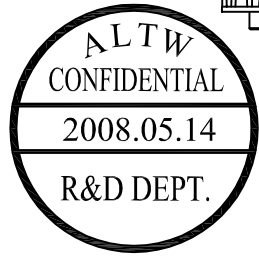
Conn.2  
Pin Assignments  
Front View



Conn.1  
Pin Assignments  
Front View

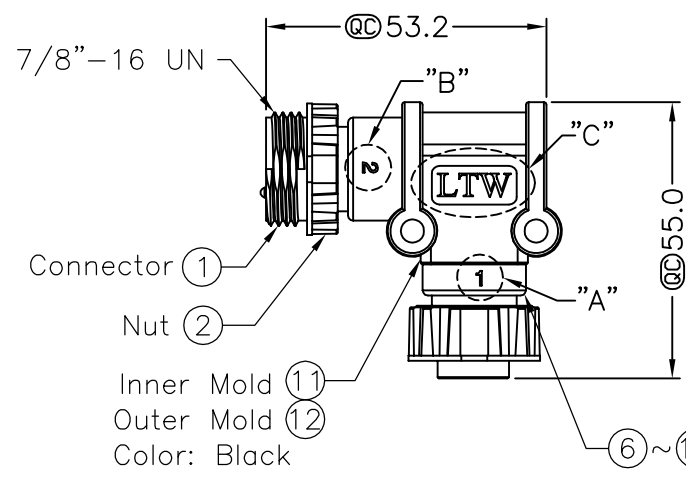


Conn.2

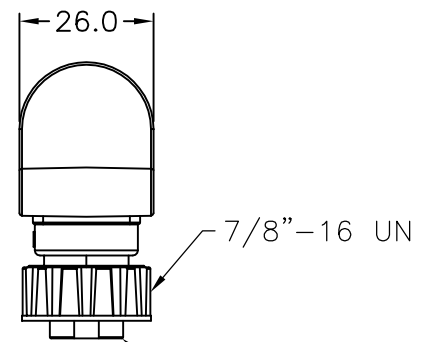


Blue 藍 (18AWG)	5	5
White 白 (18AWG)	4	4
Black 黑 (16AWG)	3	3
Red 紅 (16AWG)	2	2
Yellow 黃 (18AWG)	1	1
Wire Color	Conn.1	Conn.2

Pin Out



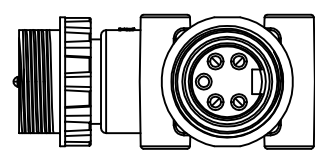
- Connector ①
- Nut ②
- Inner Mold ⑪
- Outer Mold ⑫
- Color: Black



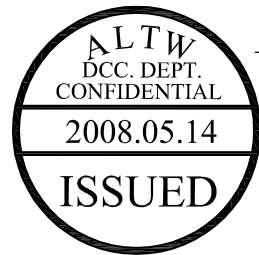
- ③ Connector
- ④ Nut
- ⑤ O-Ring

Note:

- \* Ⓞ Important Dimension.
- \* Waterproof Rate: IP68
- \* Connector: Black, PU
- \* Pin: Copper Alloy, Gold Plated 6u"
- \* O-ring: Green, Viton
- \* Nut: Zinc, Nickel Plated
- \* Text Depth : 0.3 mm
- \* Wire Harness: UL1007 16AWG 2Pcs & UL1007 18AWG 3Pcs



Conn.1



UNIT:mm	
TOLERANCE	
.X	±0.25
.XX	±0.1
.XXX	±0.05
ANGLES	±1°

TITLE		Mini-C T Adaptor Screw 90 Degree Elbow	
SCALE	Free	SHEET	1 OF 1
REV.	A	SIZE	A4
Ⓞ :Inspection Item			

**Amphenol LTW**  
安費諾亮泰企業股份有限公司

ITEM NO	MN-000505-0FM-ES001
DWG NO	MN-000505-0FM-ES001
CUSTOMER	ALTW

DRAWN BY	Cloud
CHECKED BY	Emily
APPROVED BY	Luke

DATE	2008/05/14
DATE	2008/05/14
DATE	2008/05/14

THIS DOCUMENT IS SUBJECT TO CHANGE WITHOUT NOTICE. IT IS CONFIDENTIAL AND A PROPERTY OF Amphenol LTW. DISCLOSURE TO THIRD PARTY HAS TO BE AUTHORIZED BY Amphenol LTW.