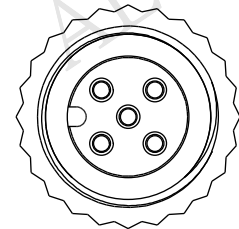
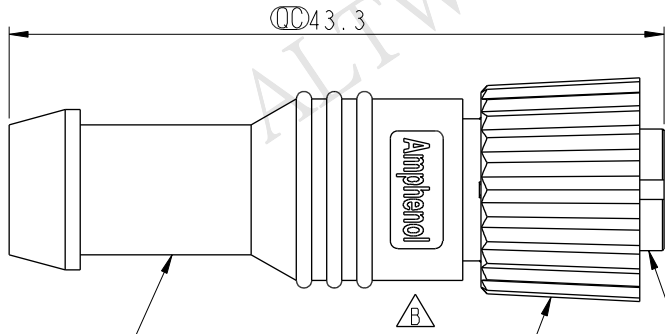


REV.	ECN NO.	DATE	SIGN	DESCRIPTION
B	LEN1660933	2016/06/22	Vicky	Update Logo

ALTW  
CONFIDENTIAL  
2016-06-22  
R&D DEPT.

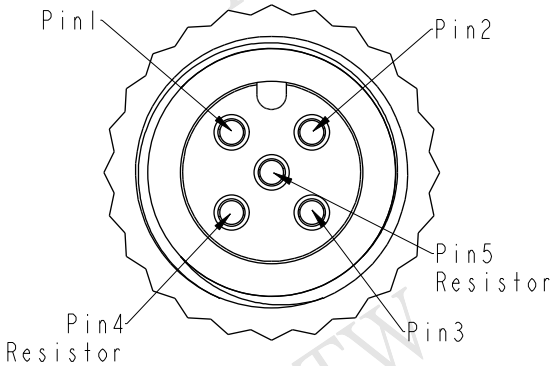


Outer Mold ④  
Color: Black

Nut ③

- ① Connector
- ② O-Ring
- ⑤ Resistor

ALTW  
DCC. DEPT.  
CONFIDENTIAL  
2016.06.30  
ISSUED



Pin Assignments  
Front View

Resistor	5	
	4	
N/A	3	
N/A	2	
N/A	1	
Wire Color	Conn.	
Pin Out		

Note:  
 \*  $\text{C}$  Important Dimension.  
 \* Waterproof Rate: IP68  
 IP68: 1M Depth Of Water In 24hours  
 \* Connector: PU, Black  
 \* Female Pin: Copper Alloy, Gold Plated  
 \* Resistor: 1/4, 120 $\Omega$ , 5% Resistance, Molded Inside The Connector.

UNIT:mm TOLERANCE $\pm 0.5$ mm	TITLE M12 Female Conn. Female Pin, No Cable, With Resistor		Amphenol LTW 安費諾亮泰企業股份有限公司		ITEM NO MCP-05BFFT-SL8001	DRAWN BY Vicky	DATE 2016-06-22
	SCALE 2:1	SIZE A4			SHEET 1 OF 1	DWG NO MCP-05BFFT-SL8001	CHECKED BY Rita
	REV. B	WC-REV. A.4	$\text{C}$ : Inspection item	CUSTOMER ALTW	APPROVED BY Lisa	DATE 2016-06-22	

THIS DOCUMENT IS SUBJECT TO CHANGE WITHOUT NOTICE. IT IS CONFIDENTIAL AND A PROPERTY OF Amphenol LTW. DISCLOSURE TO THIRD PARTY HAS TO BE AUTHORIZED BY Amphenol LTW.