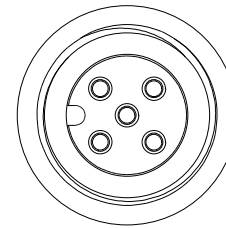
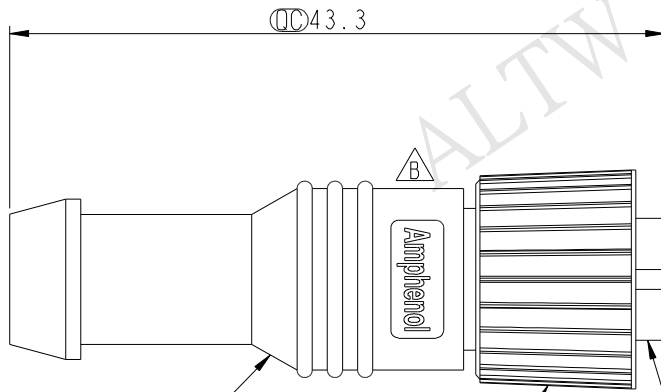


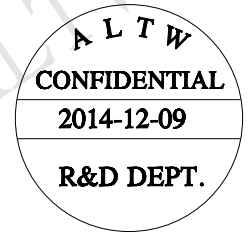
REV.	ECN NO.	DATE	SIGN	DESCRIPTION
B	LEN1530136	2014/12/09	Jinhai	Change Logo LTW To Amphenol



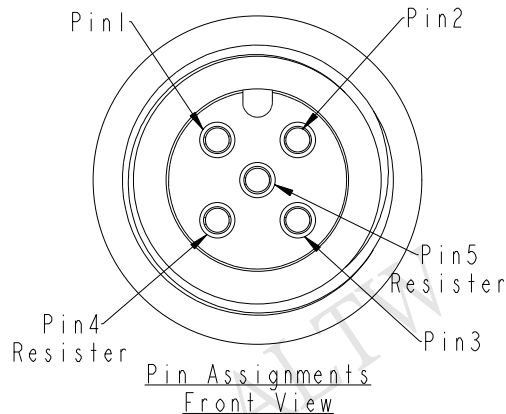
Conn.

Outer Mold  
Color: Black

- 1 Connector
- 2 O-Ring
- 3 Nut
- 4
- 5 Resistor



Note:  
 \*  $\varnothing$  Important Dimension.  
 \* Waterproof Rate: IP68  
 \* Connector: PU, Black  
 \* Female Pin: Copper Alloy, Gold Plated  
 \* Resistor: 1/4, 120Ω, 5% Resistance, Molded Inside The Connector.



Pin Assignments  
Front View

Resistor	5	
	4	
N/A	3	
N/A	2	
N/A	1	
Wire Color	Conn.	
Pin Out		

UNIT:mm TOLERANCE ±0.5mm	TITLE M12 Female Conn. Female Pin, No Cable, With Resistor			<b>Amphenol LTW</b> 安費諾亮泰企業股份有限公司	ITEM NO MC-05BFFT-SL8001	DRAWN BY Jinhai	DATE 2014-12-09
	SCALE 2:1	SIZE A4	SHEET 1 OF 1		DWG NO MC-05BFFT-SL8001	CHECKED BY Tom	DATE 2014-12-09
	REV. B	WC-REV. A.4	$\varnothing$ : Inspection item		CUSTOMER ALTW	APPROVED BY Jerry	DATE 2014-12-09

THIS DOCUMENT IS SUBJECT TO CHANGE WITHOUT NOTICE. IT IS CONFIDENTIAL AND A PROPERTY OF Amphenol LTW. DISCLOSURE TO THIRD PARTY HAS TO BE AUTHORIZED BY Amphenol LTW.