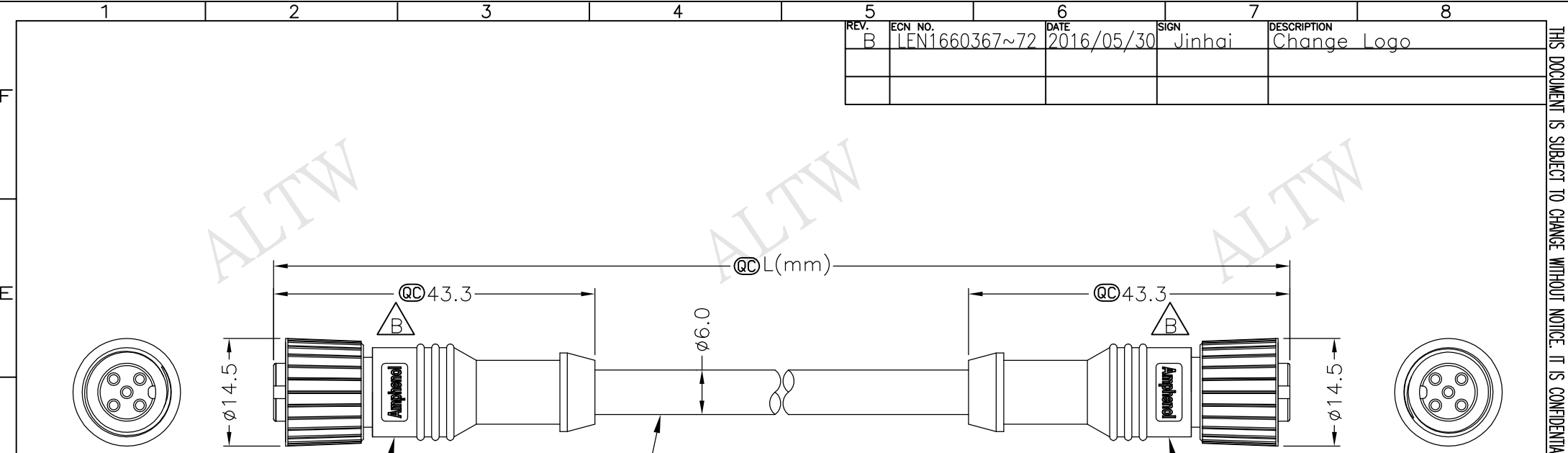


5	6	7	8
REV. B	ECN NO. LEN1660367~72	DATE 2016/05/30	SIGN Jinhai
			DESCRIPTION Change Logo

THIS DOCUMENT IS SUBJECT TO CHANGE WITHOUT NOTICE. IT IS CONFIDENTIAL AND A PROPERTY OF Amphenol LTW. DISCLOSURE TO THIRD PARTY HAS TO BE AUTHORIZED BY Amphenol LTW.



Conn.1

12-05BFFM-SL8000 (1)  
Color: Black

Cable (2)

MC-000505-OFF-CSAXX

XX:01~99Meters  
01:01Meter  
02:02Meters  
:  
:  
99:99Meters

(1) 12-05BFFM-SL8000  
Color: Black

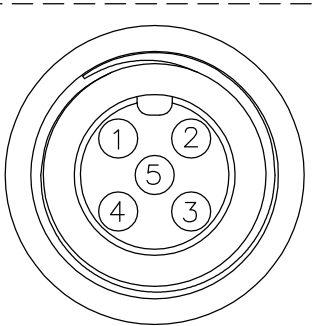
Conn.2



Cable Length(L):01~99Meters

Note:

- \* QC Important Dimension.
- \* Waterproof Rate: IP68
- \* Connector: Polyurethane (PU), Black
- \* Female Pin: Copper Alloy, Gold Plated
- \* Cable: Black, (24#\*1P+A)+(22#\*1P+A)+Drain+AL.Mylar+Braid  
PVC UV Cable OD=6.0mm
- \* Cable Length Tolerance: 1M~10M±5%mm, 11M~99M±500mm.



Pin Assignments  
Front View

5	Blue (24AWG)	5	Twist
4	White (24AWG)	4	
3	Black (22AWG)	3	Twist
2	Red (22AWG)	2	
1	Drain (22AWG)	1	
Conn.1	Wire Color	Conn.2	
Pin Out			

UNIT:mm	
TOLERANCE	±0.5 mm

TITLE		M12P Conn NMEA	
		I Adapt Screw FF Conn FF Pin	
SCALE	Free	SHEET	1 OF 1
REV. B	SIZE A4	QC :Inspection Item	

**Amphenol LTW**  
安費諾亮泰企業股份有限公司

ITEM NO	
DWG NO	MC-000505-OFF-CSAXX
CUSTOMER	ALTW

DRAWN BY	Jinhai	DATE	2016/05/30
CHECKED BY	Tom	DATE	2016/05/30
APPROVED BY	Jerry	DATE	2016/05/30