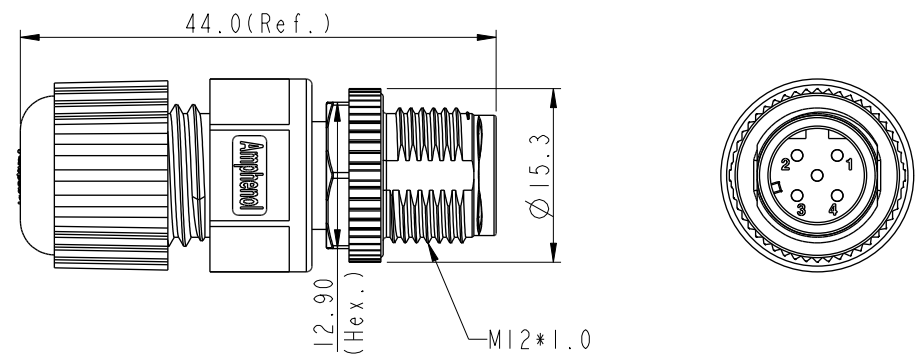
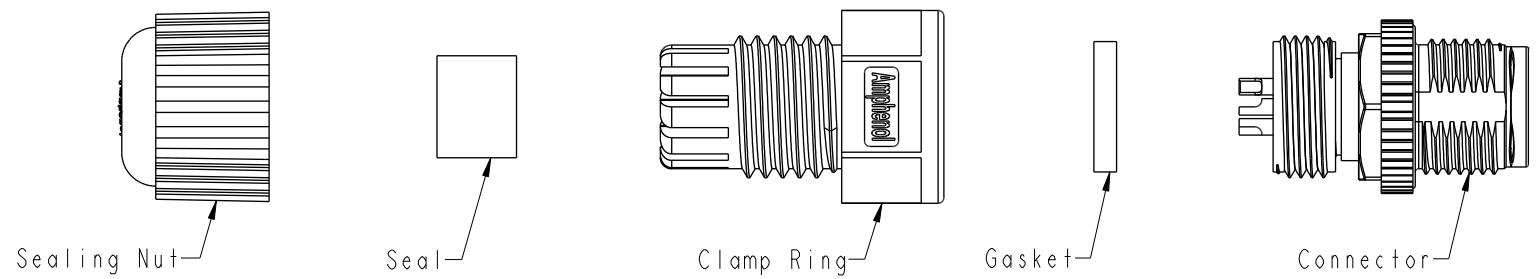


THIS DOCUMENT IS SUBJECT TO CHANGE WITHOUT NOTICE. IT IS CONFIDENTIAL AND A PROPERTY OF Amphenol LTW. DISCLOSURE TO THIRD PARTY HAS TO BE AUTHORIZED BY Amphenol LTW.

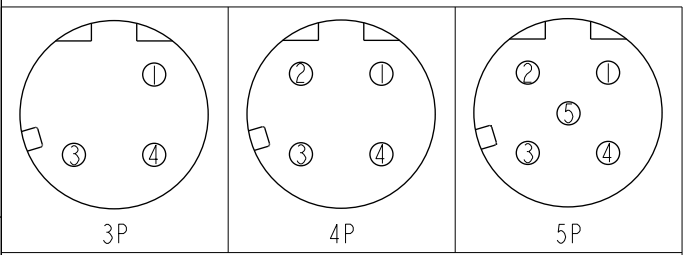
REV.	ECN NO.	DATE	SIGN	DESCRIPTION
B	C210561	2021/04/13	Vicky	$\triangle_B$ X4



$\triangle_B$ M12D-XXBMM-A-SL8001

XX: No. Of Pin

- $\triangle_B$ Note:
- \* RoHS Compliant
  - \*  $\text{\textcircled{C}}$  Important Dimension
  - \* Waterproof rate: IPX8, mated 1m/24h
  - \* Connector
  - Housing: Thermoplastic, Black
  - Pin: Copper alloy, Gold plated
  - Extension Nut: Thermoplastic, Black
  - Nut: Metal
  - \* Gasket: Rubber, Gray
  - \* Clamp Ring: Thermoplastic, Black
  - \* Sealing Nut: Thermoplastic, Black
  - \* Seal: Rubber, Gray, OD: $\varnothing$ 4.5mm- $\varnothing$ 6.5mm
  - \* One set unassembled in one pe bag



Pin Assignments Front View

UNIT:mm	$\text{\textcircled{C}}$	$\text{\textcircled{C}}$	TITLE	$\triangle_B$
TOLERANCE	$\pm 0.25$	$\pm 0.1$	N SEN, M12 D, SCREW	
.X	$\pm 0.1$	$\pm 0.05$	CABLE W/O SR, M, M, FI SOLDER	
.XX	$\pm 0.1$	$\pm 0.05$	SCALE	1:1
.XXX	$\pm 0.05$	$\pm 1^\circ$	SIZE	A4
ANGLES	$\pm 1^\circ$		SHEET	1 OF 2
			REV.	B
			WC-REV.	A.5
			$\text{\textcircled{C}}$	Inspection item

**Amphenol LTW**  
安費諾亮泰企業股份有限公司

ITEM NO	DRAWN BY	DATE
	JC Chen	2019/08/28
DWG NO	CHECKED BY	DATE
M12D-XXBMM-A-SL8001	Li Feng	2019/08/28
CUSTOMER	APPROVED BY	DATE
ALTW	Jerry	2019/08/28