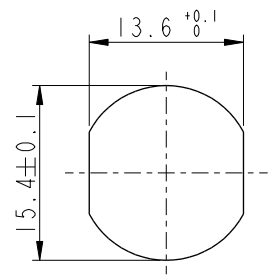


THIS DOCUMENT IS SUBJECT TO CHANGE WITHOUT NOTICE. IT IS CONFIDENTIAL AND A PROPERTY OF Amphenol LTW. DISCLOSURE TO THIRD PARTY HAS TO BE AUTHORIZED BY Amphenol LTW.

REV.	ECN NO.	DATE	SIGN	DESCRIPTION
D	C201647	2020/10/28	Vicky	△D X5
E	C210023	2021/01/14	Vicky	△E X2
F	C210309	2021/02/25	Ruru	△F X2



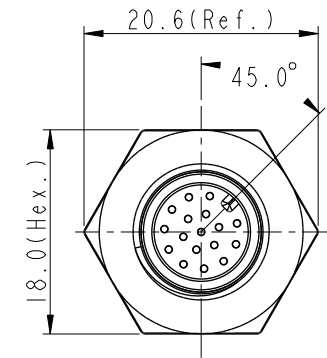
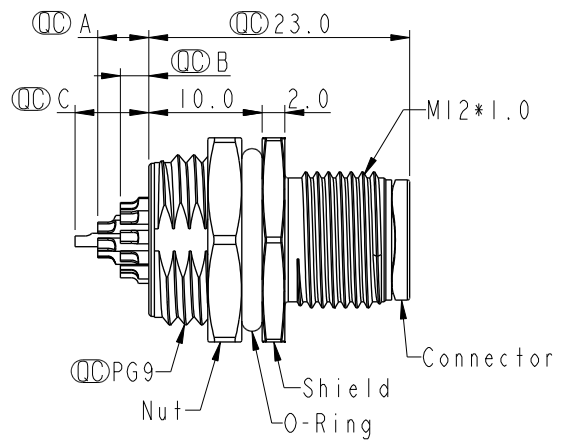
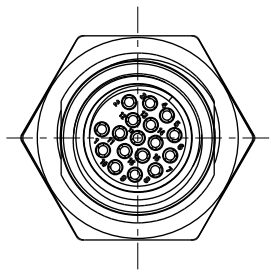
△B

△D

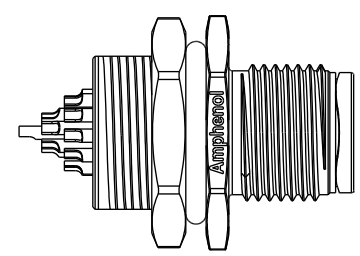
M12A-XXPMMS-SH8001

XX: No. Of Pin

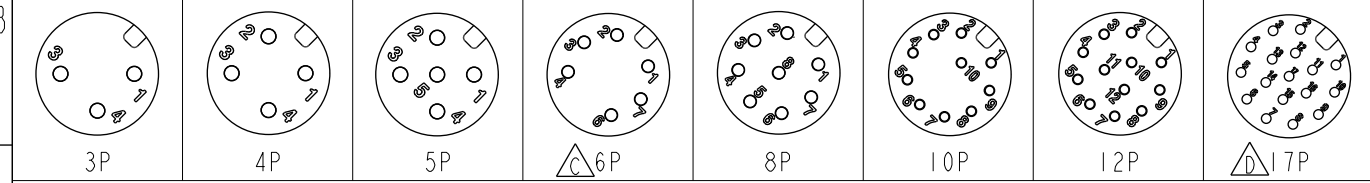
Recommended Panel Cut-Out



M12A-03PMMS-SH8001		2.5	
M12A-04PMMS-SH8001		2.5	
M12A-05PMMS-SH8001		2.5	
M12A-06PMMS-SH8001		2.5	△C
M12A-08PMMS-SH8001		2.5	
M12A-10PMMS-SH8001	4.5	2.5	
M12A-12PMMS-SH8001	4.5	2.5	
M12A-17PMMS-SH8001	4.5	2.5	6.5 △D
Item No.	A	B	C
	Pin伸出長度		



- △D △F Note:
- \* RoHS Compliant
  - \* Ⓞ Important dimension
  - △C \* Waterproof rate: IPX8, unmated 1m/24h  
IPX9K, unmated
  - \* Connector  
Housing: Thermoplastic, Black  
Pin: Copper alloy, Gold plated  
Shield: Metal  
Nut: Metal  
\* O-Ring: Rubber, Black  
\* For panel thickness max: 4.5mm  
\* Nut is packed separately in pe bag



Pin Assignment Front View

UNIT: mm			TITLE N SEN, M12 A, SCREW RECEPTACLE, M, M, SOLDER △F
TOLERANCE .X ±0.25 .XX ±0.1 .XXX ±0.05 ANGLES ±1°	SCALE 1:1	SIZE A4	SHEET 1 OF 1
	REV. F	WC-REV. A.5	Ⓞ: Inspection item

**Amphenol LTW**  
安費諾亮泰企業股份有限公司

ITEM NO.	DRAWN BY Yulong-Wang	DATE 2016-08-06
DWG NO. △D M12A-XXPMMS-SH8001	CHECKED BY Jinhai	DATE 2016-08-06
CUSTOMER ALTW	APPROVED BY Jerry	DATE 2016-08-06