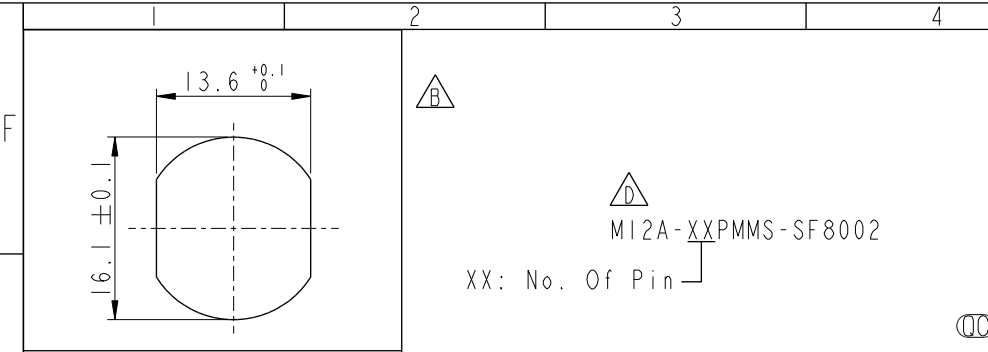


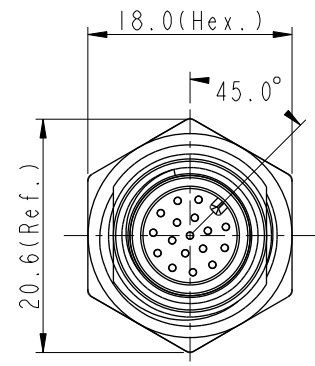
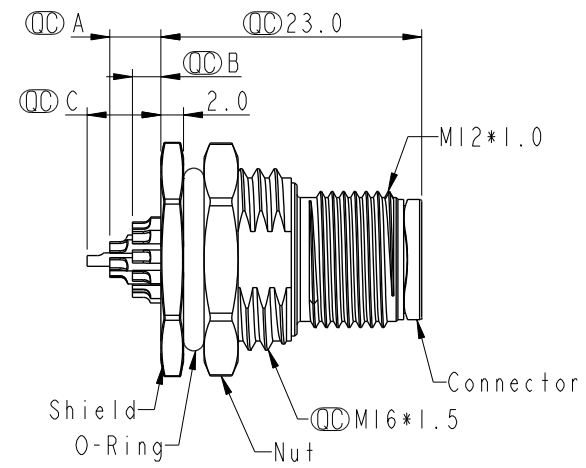
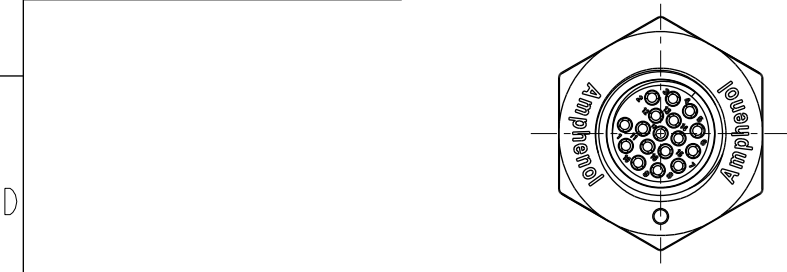
THIS DOCUMENT IS SUBJECT TO CHANGE WITHOUT NOTICE. IT IS CONFIDENTIAL AND A PROPERTY OF Amphenol LTW. DISCLOSURE TO THIRD PARTY HAS TO BE AUTHORIZED BY Amphenol LTW.

REV.	ECN NO.	DATE	SIGN	DESCRIPTION
D	C201647	2020/10/28	Vicky	△D X5
E	C210023	2021/01/14	Vicky	△E X2
F	C210309	2021/02/25	Ruru	△F X2

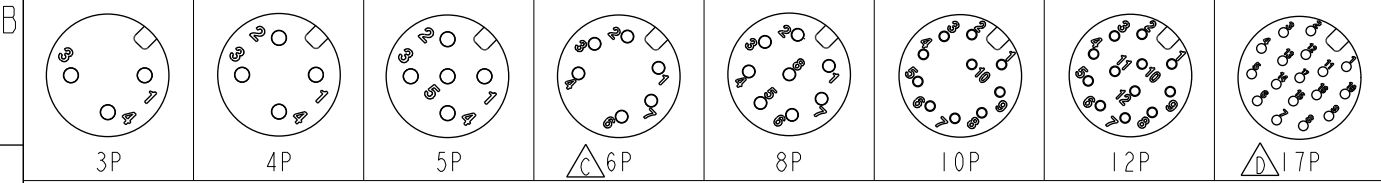


Recommended Panel Cut-Out

△D  
M12A-XXPMMS-SF8002  
XX: No. Of Pin



M12A-03PMMS-SF8002		2.5		
M12A-04PMMS-SF8002		2.5		
M12A-05PMMS-SF8002		2.5		
M12A-06PMMS-SF8002		2.5		△C
M12A-08PMMS-SF8002		2.5		
M12A-10PMMS-SF8002	4.5	2.5		
M12A-12PMMS-SF8002	4.5	2.5		
M12A-17PMMS-SF8002	4.5	2.5	6.5	△D
Item No.	A	B	C	
	Pin伸出長度			



Pin Assignment Front View

△D △E Note:  
 \* RoHS Compliant  
 \* (CC) Important dimension  
 △C\* Waterproof rate: IPX8, unmated 1m/24h  
 IPX9K, unmated  
 \* Connector  
 Housing: Thermoplastic, Black  
 Pin: Copper alloy, Gold plated  
 △E\* Shield: Metal  
 △E\* Nut: Metal  
 \* O-Ring: Rubber, Black  
 \* For panel thickness max: 4.5mm  
 \* Nut is packed separately in pe bag

UNIT: mm		TITLE N SEN, M12 A, SCREW RECEPTACLE, M, M, SOLDER △F
TOLERANCE .X ±0.25 .XX ±0.1 .XXX ±0.05 ANGLES ±1°	SCALE 1:1	SIZE A4
	REV. F	SHEET 1 OF 1
	WC-REV. .0	CC: Inspection item

**Amphenol LTW**  
 安費諾亮泰企業股份有限公司

ITEM NO.	DRAWN BY Yulong-Wang	DATE 2016-08-08
DWG NO. △D M12A-XXPMMS-SF8002	CHECKED BY Jinhai	DATE 2016-08-08
CUSTOMER ALTW	APPROVED BY Jerry	DATE 2016-08-08