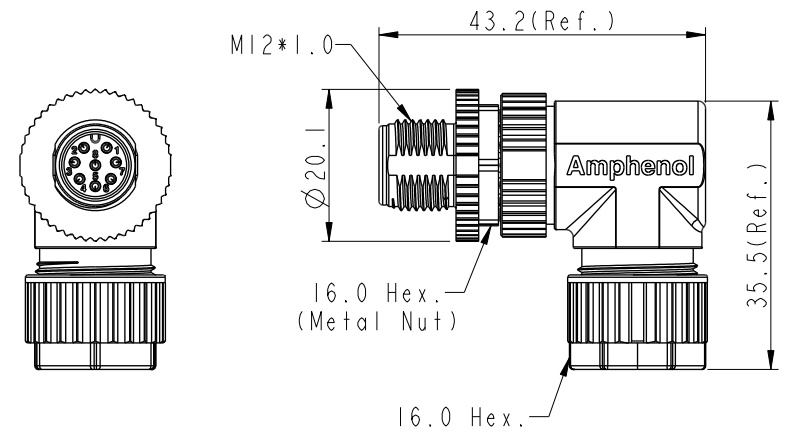
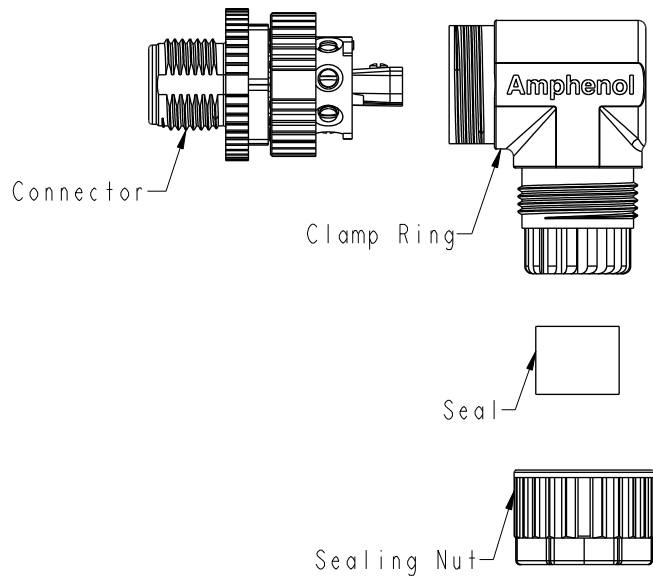


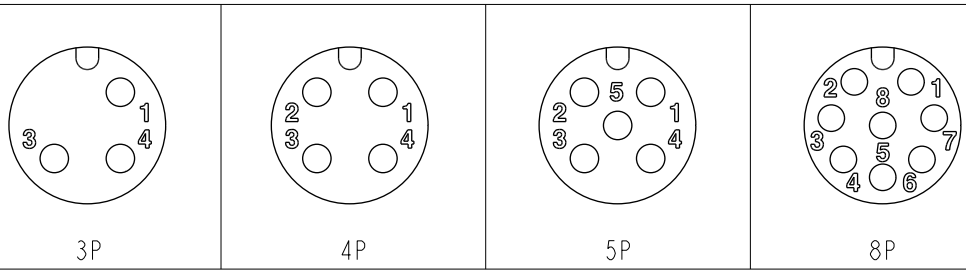
THIS DOCUMENT IS SUBJECT TO CHANGE WITHOUT NOTICE. IT IS CONFIDENTIAL AND A PROPERTY OF Amphenol LTW. DISCLOSURE TO THIRD PARTY HAS TO BE AUTHORIZED BY Amphenol LTW.

REV.	ECN NO.	DATE	SIGN	DESCRIPTION
B	LEN1790120~23	2017/08/31	Frank Deng	Update Note
C	C210561	2021/04/09	Vicky	$\triangle C$ X4



$\triangle C$ M12A-XXBMMB-SL7001
 XX: No. Of Pin

- $\triangle B$ $\triangle C$
 Note:
- * RoHS Compliant
 - * CC Important Dimension
 - * Waterproof rate: IPX7, mated
 - * Connector
 - Housing: Thermoplastic, Black
 - Pin: Copper alloy, Gold plated
 - Extension Nut: Thermoplastic, Black
 - Nut: Metal
 - O-Ring: Rubber, Gray
 - * Clamp Ring: Thermoplastic, Black
 - * Sealing Nut: Thermoplastic, Black
 - * Seal: Rubber, Gray, OD: $\varnothing 4.0\text{mm} - \varnothing 7.0\text{mm}$
 - * One set unassembled in one pe bag



Pin Assignments Front View

UNIT: mm			TITLE N SEN, M12 A, SCREW CABLE W/O SR, M, M, FI SCREW IN
TOLERANCE .X ±0.25 .XX ±0.1 .XXX ±0.05 ANGLES ±1°	$\triangle C$	SCALE 1:1	SIZE A4
		REV. C	WC-REV. A.2
			CC : Inspection item

Amphenol LTW
 安費諾亮泰企業股份有限公司

ITEM NO	DRAWN BY Frank Deng	DATE 2017-08-31
DWG NO M12A-XXBMMB-SR7001	CHECKED BY Fisher Wang	DATE 2017-08-31
CUSTOMER ALTW	APPROVED BY Kevin Hu	DATE 2017-08-31