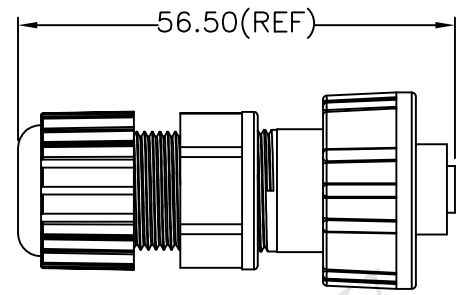
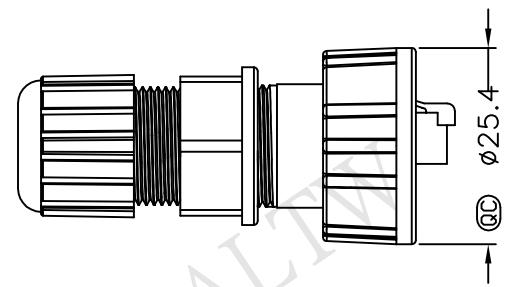
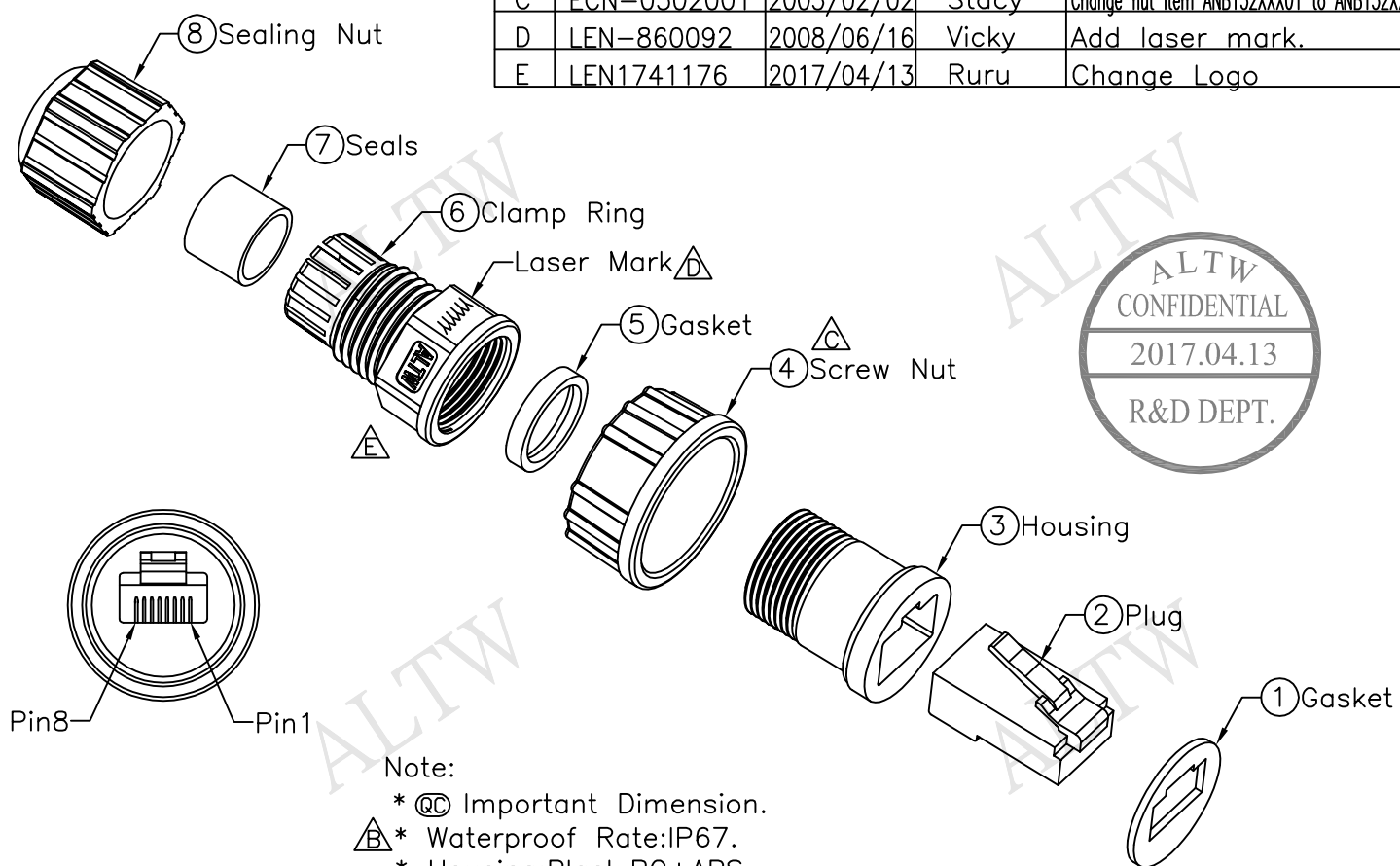
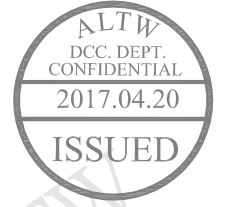


REV.	ECN NO.	DATE	SIGN	DESCRIPTION
C	FCN-0502001	2005/02/02	Stacy	Change nut item ANB152XXX01 to ANB152XXA01.
D	LEN-860092	2008/06/16	Vicky	Add laser mark.
E	LEN1741176	2017/04/13	Ruru	Change Logo

THIS DOCUMENT IS SUBJECT TO CHANGE WITHOUT NOTICE. IT IS CONFIDENTIAL AND A PROPERTY OF Amphenol LTW. DISCLOSURE TO THIRD PARTY HAS TO BE AUTHORIZED BY Amphenol LTW.



- Note:
- * Ⓞ Important Dimension.
 - △ * Waterproof Rate: IP67.
 - * Housing: Black, PC+ABS.
 - △ * Screw Nut: Black, Nylon+GF.
 - * Clamp Ring: Black, Nylon.
 - * Seals: Black, EPDM.
 - * Sealing Nut: Black, Nylon.
 - * Gasket: Black, EPDM.
 - * Plug: 8P8C.
 - △ * One Set Unassembled in One PE Bag.
(每一組未組裝, 放置於一個PE袋, 並封口)
 - △ * Laser Mark: 工單號碼(6碼)
字型 Simplex; 字高 2mm.



UNIT:mm TOLERANCE .X ±0.25 .XX ±0.1 .XXX ±0.05 ANGLES ±1'	TITLE 8P8C Plug for Cable Assembly Type		Amphenol LTW 安費諾亮泰企業股份有限公司	ITEM NO LTWPL-4UXASXX	DRAWN BY Ruru	DATE 2017/04/13
	SCALE Free	SHEET 1 OF 1		DWG NO LTWPL-4UXASXX	CHECKED BY Rita	DATE 2017/04/13
REV. E	SIZE A4	QC : Inspection Item	CUSTOMER ALTW	APPROVED BY Max	DATE 2017/04/13	

ALTW