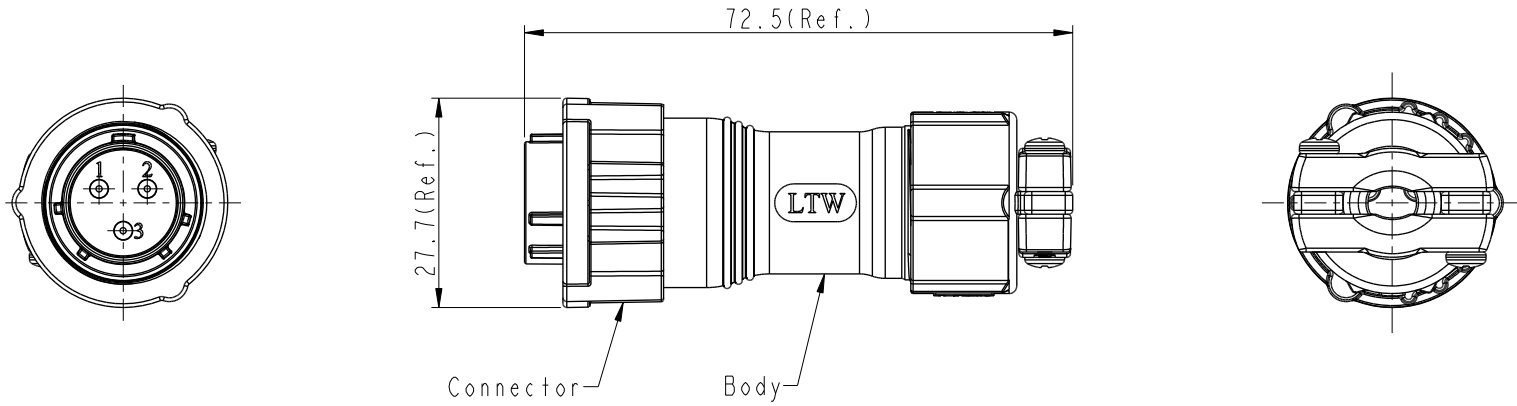


THIS DOCUMENT IS SUBJECT TO CHANGE WITHOUT NOTICE. IT IS CONFIDENTIAL AND A PROPERTY OF Amphenol LTW. DISCLOSURE TO THIRD PARTY HAS TO BE AUTHORIZED BY Amphenol LTW.

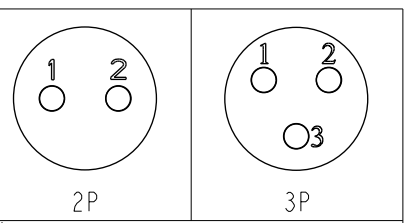
REV.	ECN NO.	DATE	SIGN	DESCRIPTION
A	Initial Release	2010/05/25	Jessie	Form Rev.01 To A
B	C210669	2021/04/28	Vicky	$\triangle B$ X5
C	C221869	2022/12/05	Vicky	$\triangle C$ XI



$\triangle B$ LC20-XXBFMA-SL8001

XX: No. Of Pin

- $\triangle B$ Note:
- * RoHS Compliant
 - * $\text{\textcircled{C}}$ Important dimension
 - $\triangle C$ * Waterproof rate: IP68, mated 1m/24h
 - * Connector
 - Housing: Metal
 - Pin: Copper alloy, Silver plated
 - Gasket: Rubber, Gray
 - Nut: Metal
 - * Body: Metal
 - * Sealing Nut: Metal
 - * Seal1: Rubber, Gray, OD \varnothing 5.5mm~7.0mm
 - * Seal2: Rubber, Gray, OD \varnothing 7.0mm~9.3mm
 - * Seal3: Rubber, Gray, OD \varnothing 9.3mm~12.5mm
 - * One set assembled in one pe bag



$\triangle B$ Pin Assignments Front View

UNIT:mm	$\text{\textcircled{C}}$	$\text{\textcircled{C}}$	TITLE O SEN, M20 48H,20A CABLE W/O SR, F, M, FI SOLDER		
TOLERANCE	.X ± 0.25	.XX ± 0.1	SCALE 1:1	SIZE A4	SHEET 1 OF 1
ANGLES	.XXX ± 0.05	$\pm 1^\circ$	REV. C	WC-REV. A.2	$\text{\textcircled{C}}$: Inspection item

Amphenol LTW
安費諾亮泰企業股份有限公司

ITEM NO	DRAWN BY Jessie	DATE 2010-05-25
DWG NO $\triangle B$ LC20-XXBFMA-SL8001	CHECKED BY Jimmy	DATE 2010-05-26
CUSTOMER ALTW	APPROVED BY Win	DATE 2010-06-01