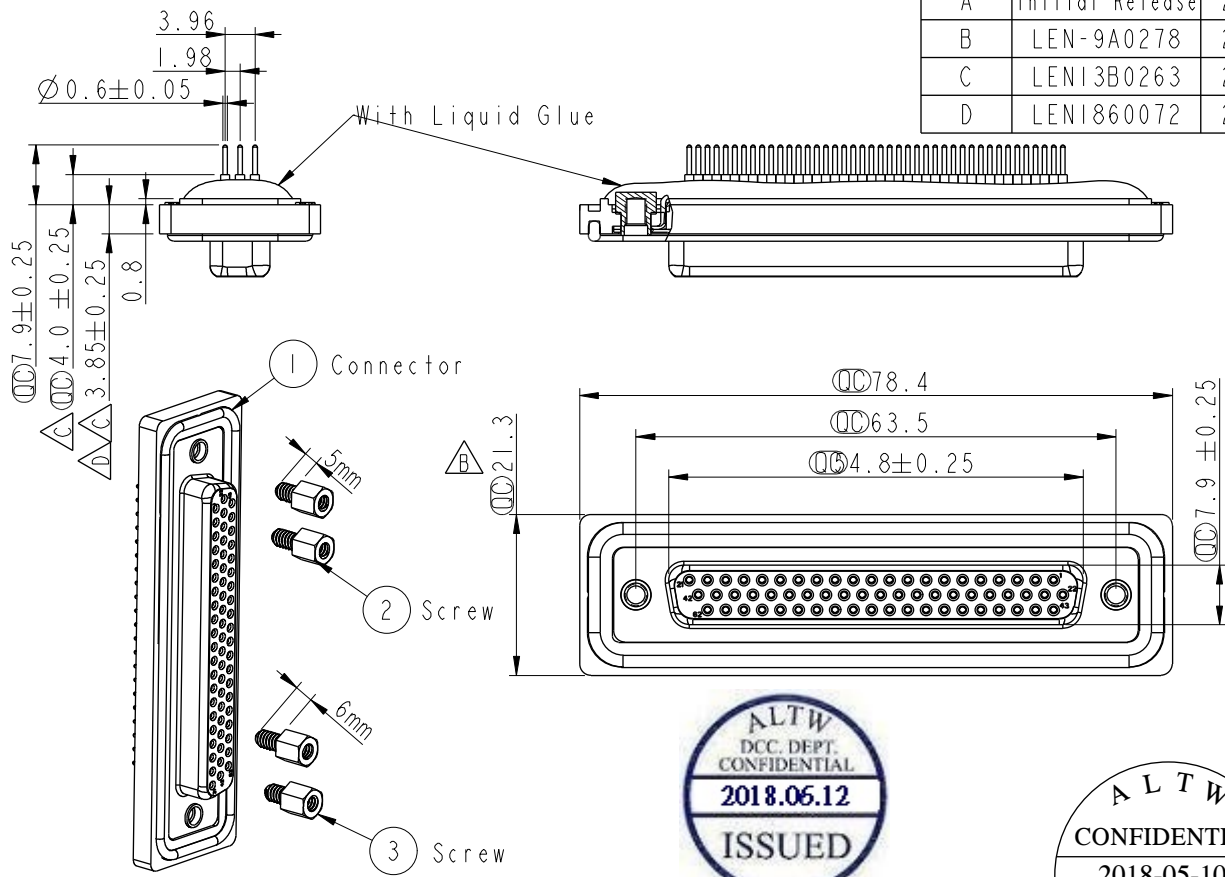


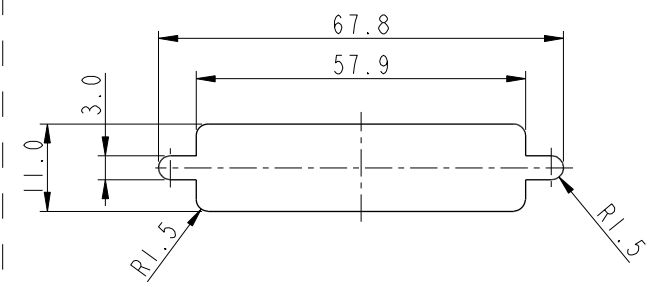
| REV. | ECN NO. | DATE | SIGN | DESCRIPTION |
|------|-----------------|------------|------------|---------------------|
| A | Initial Release | 2007/09/18 | Robert Hsu | |
| B | LEN-9A0278 | 2009/10/12 | Vicky | REF. TO ECR/N.NOTE. |
| C | LEN13B0263 | 2013/11/13 | Sam | Modify Dimension |
| D | LEN1860072 | 2018/05/10 | Richard | Modify Dimension |



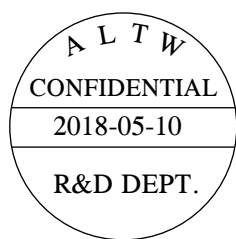
Panel Thickness
面板厚度

Screw L=5.0 For Panel Thickness
Under 1.2mm
適用板厚為 1.2mm 以下

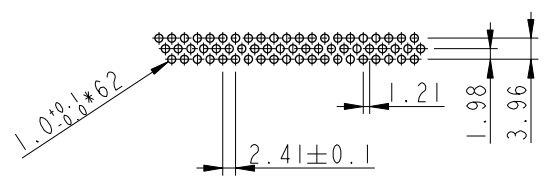
Screw L=6.0 For Panel Thickness
Between 1.2~2.0mm
適用板厚為 1.2~2.0mm



Recommended Panel Cut-Out
建議挖孔尺寸



- Note:
- * \varnothing Important Dimension.
 - * Waterproof Rate: IP67
 - * Do Mating Test After Glued
點膠後，須作對插測試
 - * Housing: Nylon+GF, Black.
 - * Connector: PBT, Black.
 - * Female Pin: Copper Alloy, Gold Plated.
 - * Ring: Silicone, Light Blue.
 - * Screw: Copper Alloy, Nickel Plated, #4-40 UNC.



62 Pin Female Connector
PCB Pin Layout

| | | | |
|-----------|--|--|----------------|
| UNIT: mm | | TITLE D-SUB Conn. Panel Screw HD62P F Conn. F Pin | |
| TOLERANCE | .X ±0.25 .XX ±0.1 .XXX ±0.05 ANGLES ±1° | SCALE 1:1 | SIZE A4 |
| | | REV. D | WC-REV. A.4 |
| | | SHEET 1 OF 1 | |
| | | ⊙: Inspection item | |

Amphenol LTW
安費諾亮泰企業股份有限公司

| | | |
|------------------------------|---------------------|--------------------|
| ITEM NO HDB-62PFFP-SL7001 | DRAWN BY Richard | DATE 2018-05-10 |
| DWG NO HDB-62PFFP-SL7001 | CHECKED BY Neo | DATE 2018-05-10 |
| CUSTOMER ALTW | APPROVED BY Max | DATE 2018-05-10 |

THIS DOCUMENT IS SUBJECT TO CHANGE WITHOUT NOTICE. IT IS CONFIDENTIAL AND A PROPERTY OF Amphenol LTW. DISCLOSURE TO THIRD PARTY HAS TO BE AUTHORIZED BY Amphenol LTW.