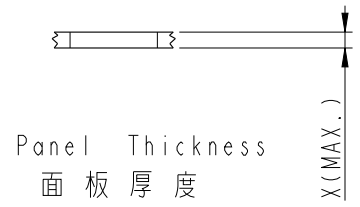
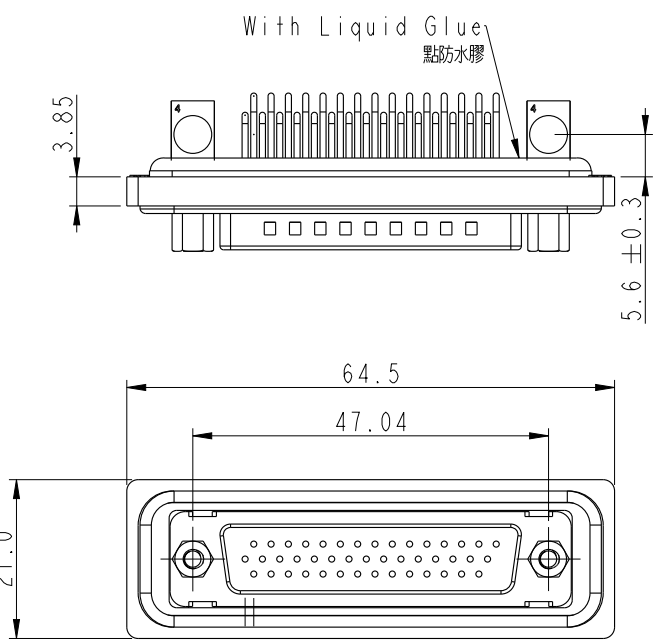
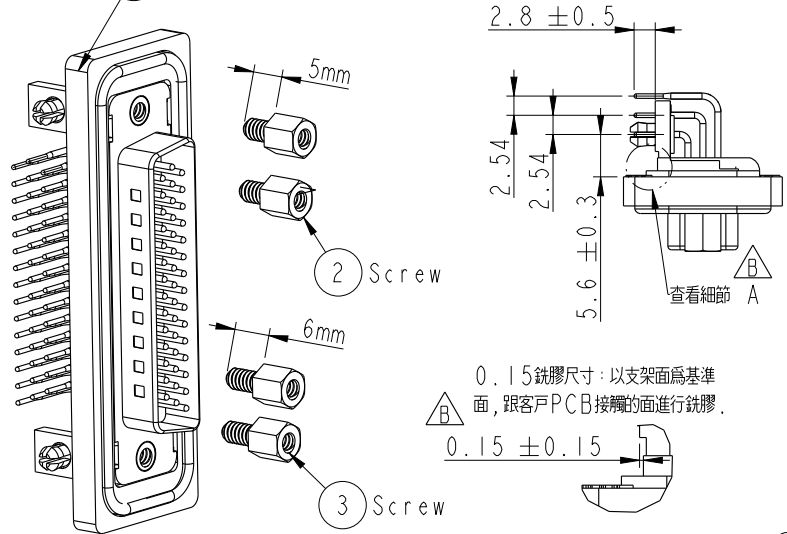


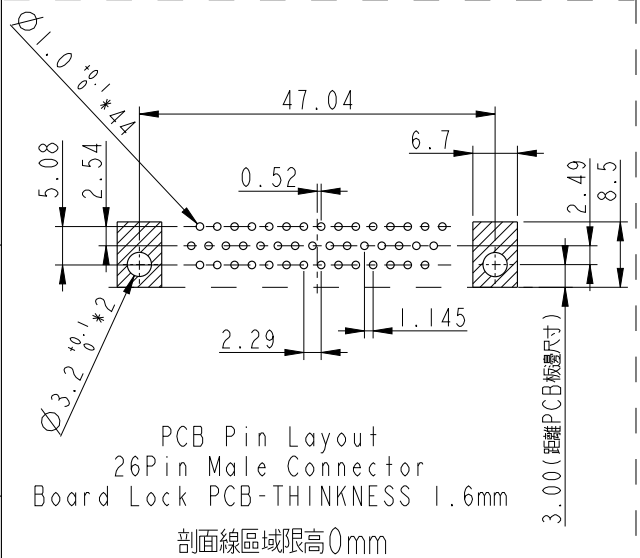
REV.	ECN NO.	DATE	SIGN	DESCRIPTION
B	C200380	2020/03/30	JC Chen	△XI

1 HD-SUB Conn.



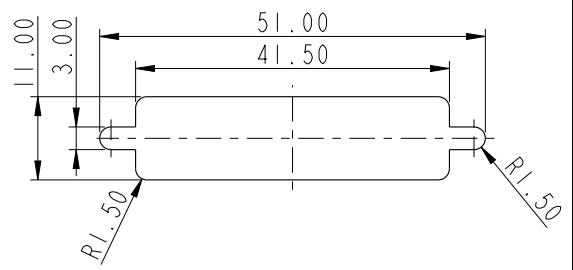
Screw L=5.0 For Panel Thickness Under 1.2mm
適用板厚 1.2mm 以下

Screw L=6.0 For Panel Thickness Between 1.2~2.0mm
適用板厚 1.2~2.0mm 以下



Note:

- * \varnothing Important Dimension.
- * Waterproof Rate: IP68
IP68: 1M of depth of water 24 hours
(IP68: 1米水深24小時)
- * Do Mating Test After Glued.
點膠後，須作對插測試
- * HD-SUB Conn.: PBT, Black Core
- * Plastic Jacket: Nylon+GF, Black
- * Male Pin: Copper Alloy, Gold Plated
- * Ring: Silicone, Light Blue
- * Screw: Copper Alloy, Nickel Plated, #4-40 UNC
- * The 90° Board Lock Needs To Connect The Iron Shell
L型支架需接鐵殼



Recommended Panel Cut-Out
建議控孔尺寸

UNIT: mm		TITLE	HD44/M Conn., Panel, PCB 90° Add Board Lock	
TOLERANCE		SCALE	1:1	SIZE A4
.X ±0.25		REV.	B	WC-REV. A.4
.XX ±0.1		SHEET 1 OF 1		QC: Inspection item
.XXX ±0.05				
ANGLES ±1°				

Amphenol LTW
安費諾亮泰企業股份有限公司

ITEM NO.	HDB-44PMMP-SB8001	DRAWN BY	Yulong_wang	DATE	2016-05-24
DWG NO.	HDB-44PMMP-SB8001	CHECKED BY	Cary	DATE	2016-05-24
CUSTOMER	ALTW	APPROVED BY	Jerry	DATE	2016-05-24

THIS DOCUMENT IS SUBJECT TO CHANGE WITHOUT NOTICE. IT IS CONFIDENTIAL AND A PROPERTY OF Amphenol LTW. DISCLOSURE TO THIRD PARTY HAS TO BE AUTHORIZED BY Amphenol LTW.