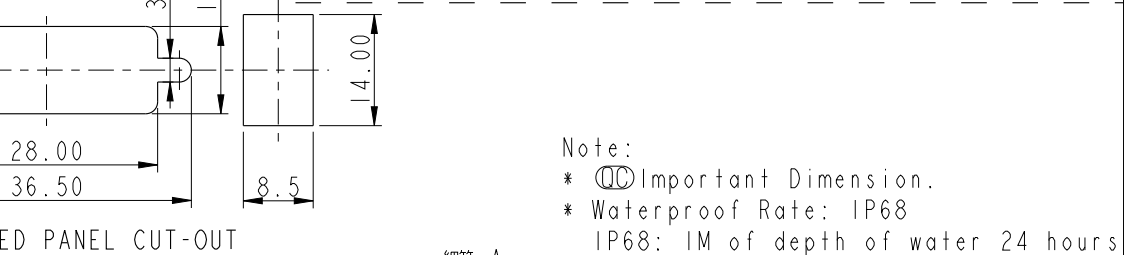
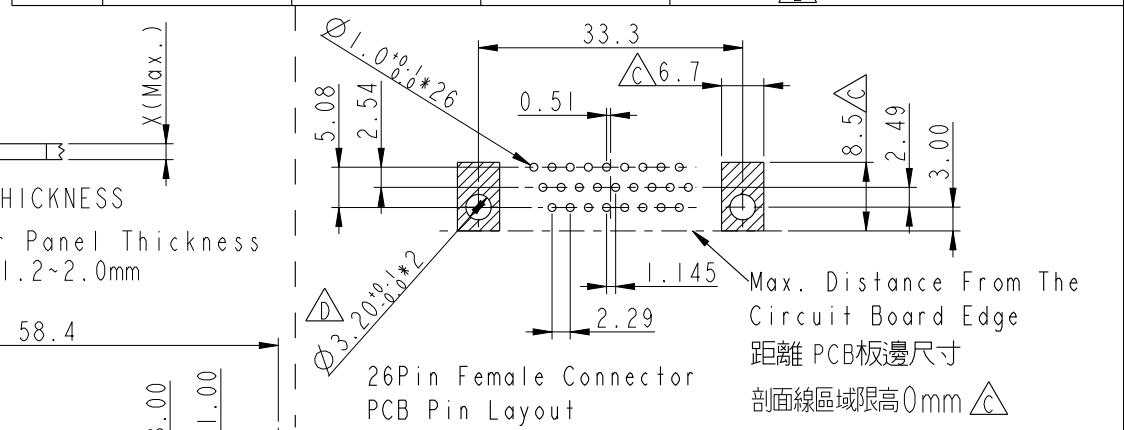
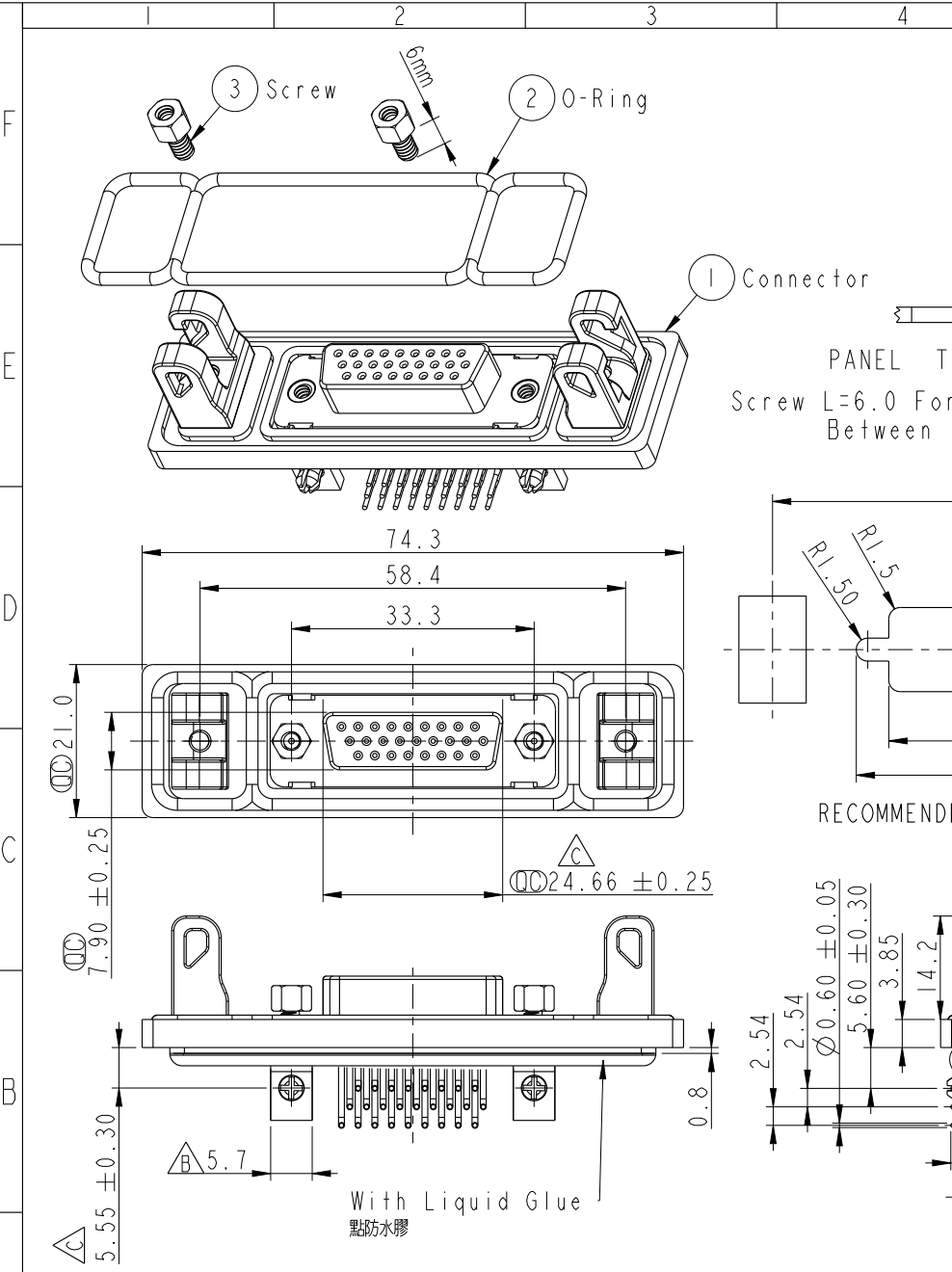


THIS DOCUMENT IS SUBJECT TO CHANGE WITHOUT NOTICE. IT IS CONFIDENTIAL AND A PROPERTY OF Amphenol LTW. DISCLOSURE TO THIRD PARTY HAS TO BE AUTHORIZED BY Amphenol LTW.

REV.	ECN NO.	DATE	SIGN	DESCRIPTION
C	LEN1460152	2014/06/24	Vicky	Update Dimension
D	LEN1490287	2014/09/16	Vicky	Add Dimension
E	C200380	2020/03/30	JC Chen	△EXI



Note:

- * ⌀ Important Dimension.
- * Waterproof Rate: IP68
IP68: 1M of depth of water 24 hours
- * Materials:
 Pane : Zinc
 Panel Link: Zinc
 Screw: Stainless, #4-40 UNC
 O-Ring: Silicone, Black
 Insulator: PBT
 Shell: Cold Rolled Steel
 Contact: Copper Alloy
 Board Lock: Copper Alloy
- * Finish:
 Panel: Nickel Plated
 Panel Link: Nickel Plated
 Board Lock: Nickel Plated
 Shell: Nickel Plated
 Contact: Gold Flash

UNIT: mm		TITLE D-SUB CONN PANEL QUICK HD26P F CONN F PIN
TOLERANCE .X ±0.25 .XX ±0.1 .XXX ±0.05 ANGLES ±1°	SCALE 1:1	SIZE A4
	REV. E	SHEET 1 OF 1
	WC-REV. A.4	Ⓞ: Inspection item

Amphenol LTW
安費諾亮泰企業股份有限公司

ITEM NO. HDB-26PFFP-QB8001	DRAWN BY Vicky	DATE 2014/09/16
DWG NO. HDB-26PFFP-QB8001	CHECKED BY Sam	DATE 2014/09/16
CUSTOMER ALTW	APPROVED BY Rita	DATE 2014/09/16