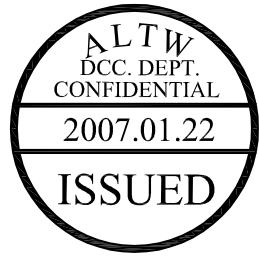
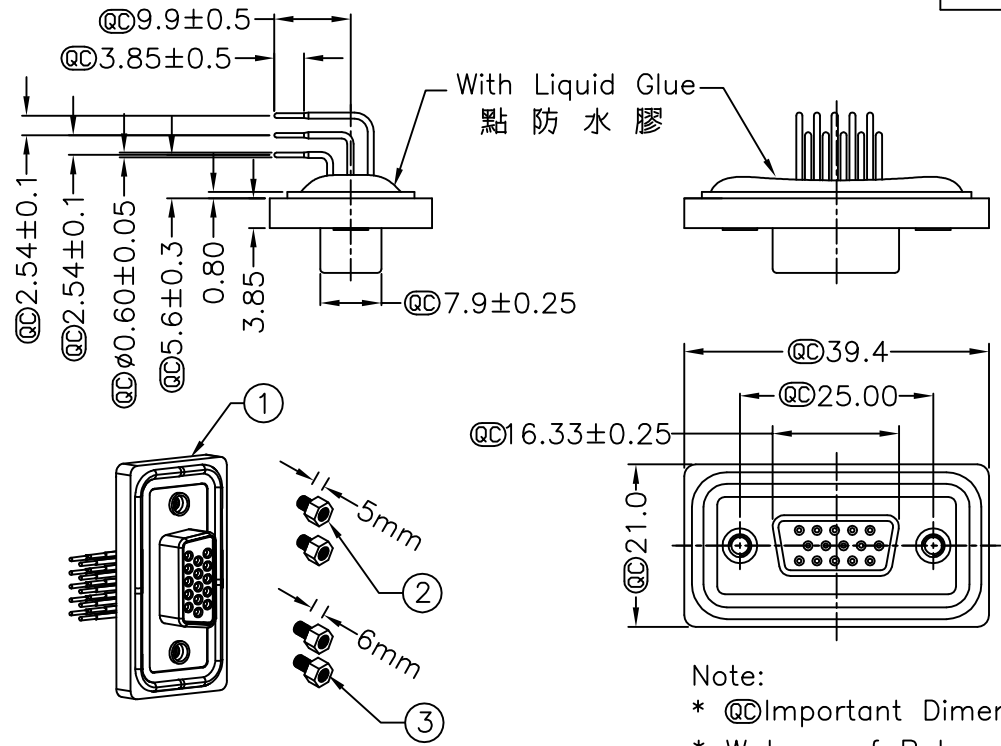


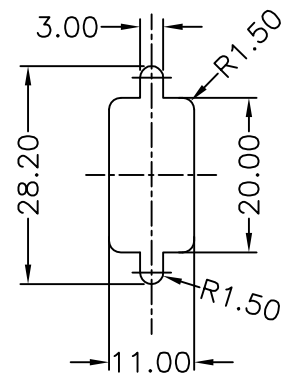
5	6	7	8
REV.	ECN NO.	DATE	SIGN
			DESCRIPTION



Panel Thickness  
面板厚度  
X(Max.)

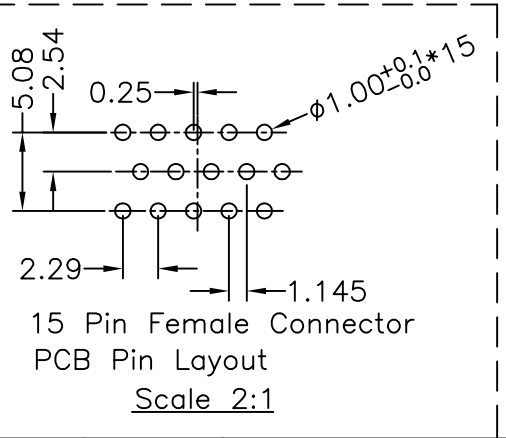
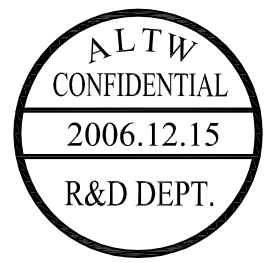
Screw L=5.0 For Panel Thickness Under 1.2mm  
適用板厚為 1.2mm 以下

Screw L=6.0 For Panel Thickness Between 1.2~2.0mm  
適用板厚為 1.2~2.0mm



Recommended Panel Cut-Out  
建議挖孔尺寸

- Note:
- \* @C Important Dimension.
  - \* Waterproof Rate : IP68  
IP68:1M of depth of water 24 hours  
(防水等級 IP68)  
(IP68:1米水深 24小時)
  - \* Do Mating Test After Glued  
點膠後, 須作對插測試
  - \* HD-SUB Conn. : Black Core , PBT
  - \* Plastic Jacket : Black , Nylon+GF
  - \* Pin : Copper Alloy , Gold Plated
  - \* Ring : Light Blue, Silicone
  - \* Screw : Copper Alloy, Nickel Plated, #4-40 UNC



UNIT:mm		TITLE D-SUB Conn. Panel Screw HD15P F Conn. F Pin	<b>Amphenol LTW</b> 安費諾亮泰企業股份有限公司		ITEM NO HDB-15PFFP-SR8001	DRAWN BY DongYaLi	DATE 2006/12/15
TOLERANCE .X ±0.25 .XX ±0.1 .XXX ±0.05 ANGLES ±1°	SCALE Free	SHEET 1 OF 1	SHEET 1 OF 1		DWG NO HDB-15PFFP-SR8001	CHECKED BY Simon	DATE 2006/12/15
REV. A	SIZE A4	@C : Inspection Item		CUSTOMER ALTW	APPROVED BY Max	DATE 2006/12/15	8 FMW0702-01-01A2

THIS DOCUMENT IS SUBJECT TO CHANGE WITHOUT NOTICE. IT IS CONFIDENTIAL AND A PROPERTY OF Amphenol LTW. DISCLOSURE TO THIRD PARTY HAS TO BE AUTHORIZED BY Amphenol LTW.