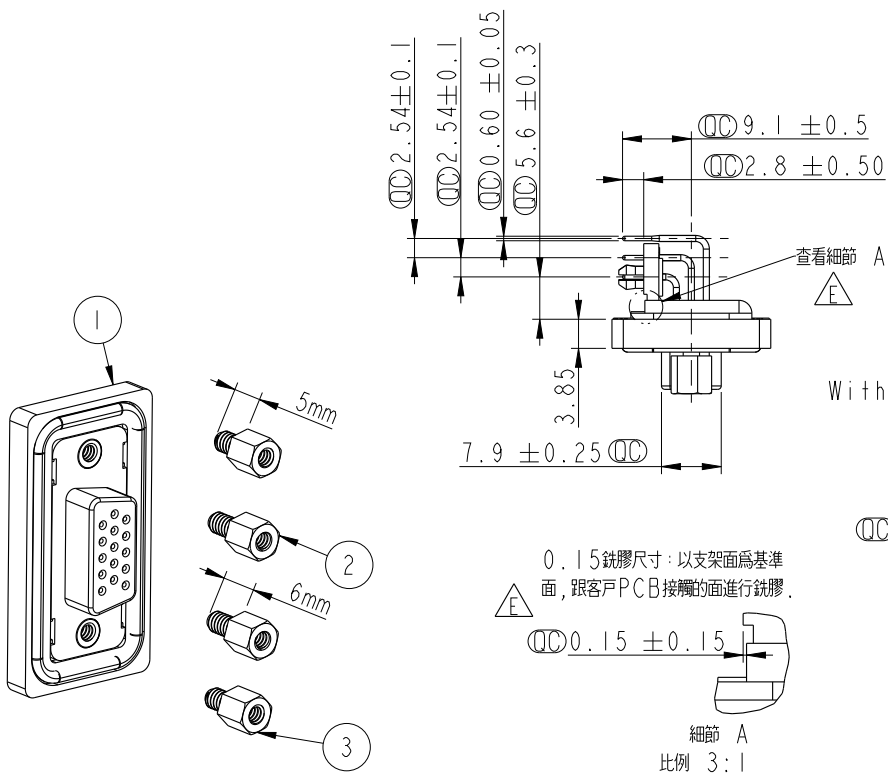
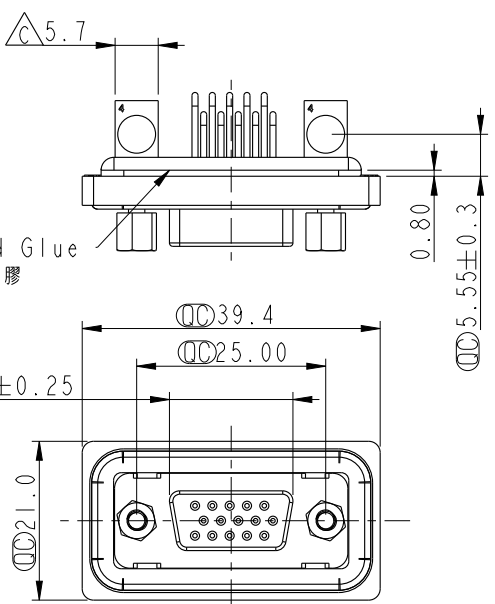


THIS DOCUMENT IS SUBJECT TO CHANGE WITHOUT NOTICE. IT IS CONFIDENTIAL AND A PROPERTY OF Amphenol LTW. DISCLOSURE TO THIRD PARTY HAS TO BE AUTHORIZED BY Amphenol LTW.

REV.	ECN NO.	DATE	SIGN	DESCRIPTION
C	LEN1390189	2013/09/02	Lu Di	Update Dimension
D	C190711	2019/05/13	Eric	Update Dimension
E	C200380	2020/03/30	JC Chen	△EXI

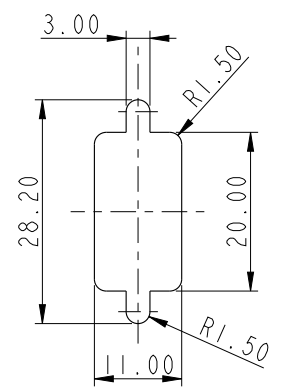


With Liquid Glue  
點防水膠



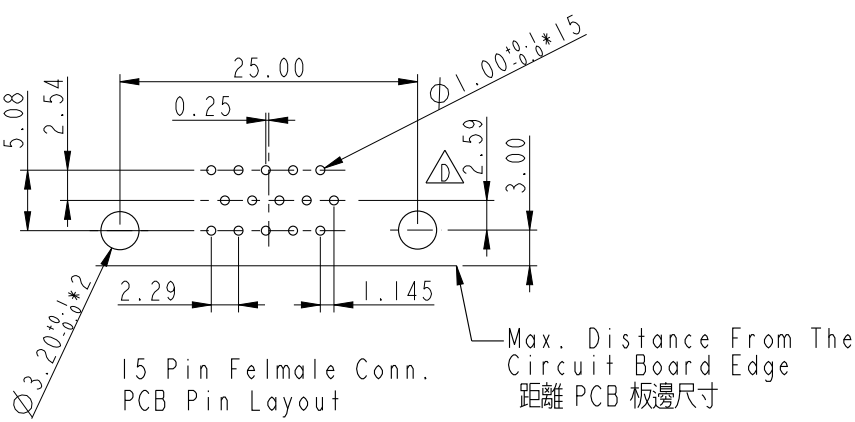
Screw L=5.0 For Panel Thickness Under 1.2mm  
適用板厚為 1.2mm 以下

Screw L=6.0 For Panel Thickness Between 1.2~2.0mm  
適用板厚為 1.2~2.0mm



Recommended Panel Cut-Out  
建議挖孔尺寸

- Note:
- \*  $\varnothing$  Important Dimension.
  - \* Waterproof Rate : IP68  
IP68: 1M of depth of water 24 hours  
(防水等級 : IP68)  
(IP68: 1米水深24小時)
  - \* Do Mating Test After Glued  
點膠後, 須作對插測試
  - \* HD-SUB Conn. : Black Core, PBT
  - \* Plastic Jacket : Black, Nylon+GF
  - \* Pin: Copper Alloy, Gold Plated
  - \* Ring: Light Blue, Silicone
  - \* Screw: Copper Alloy, Nickel Plated, #4-40 UNC
  - \* HD-SUB Conn. : Black Core, PBT
  - \* The 90° Board Lock Needs To Connect The Iron Shell  
L型支架需接鐵殼



UNIT: mm		
TOLERANCE	.X ±0.25	
	.XX ±0.1	
	.XXX ±0.05	
ANGLES	±1°	

TITLE HD15/F Conn, Panel, PCB 90° Add Board Lock			
SCALE 1:1	SIZE A4	SHEET 1 OF 1	
REV. E	WC-REV. A.3	$\varnothing$ : Inspection item	

**Amphenol LTW**  
安費諾亮泰企業股份有限公司

ITEM NO. HDB-15PFFP-SB8001	DRAWN BY Eric	DATE 2019/05/13
DWG NO. HDB-15PFFP-SB8001	CHECKED BY Jane	DATE 2019/05/13
CUSTOMER ALTW	APPROVED BY Neo	DATE 2019/05/13