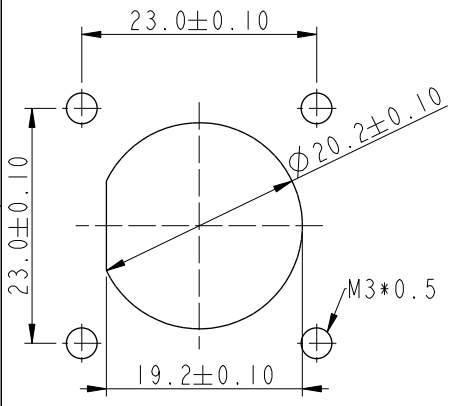
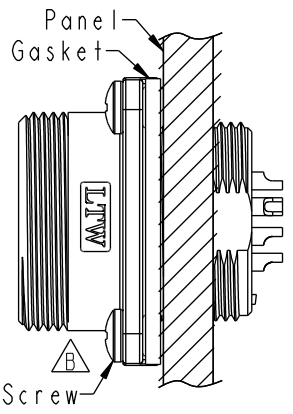


THIS DOCUMENT IS SUBJECT TO CHANGE WITHOUT NOTICE. IT IS CONFIDENTIAL AND A PROPERTY OF Amphenol LTW. DISCLOSURE TO THIRD PARTY HAS TO BE AUTHORIZED BY Amphenol LTW.

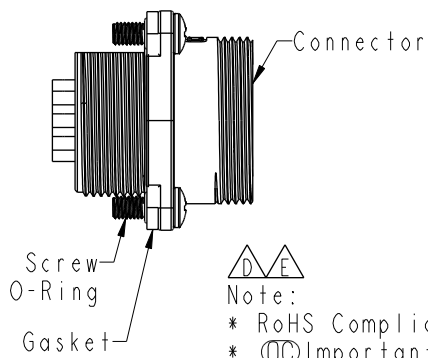
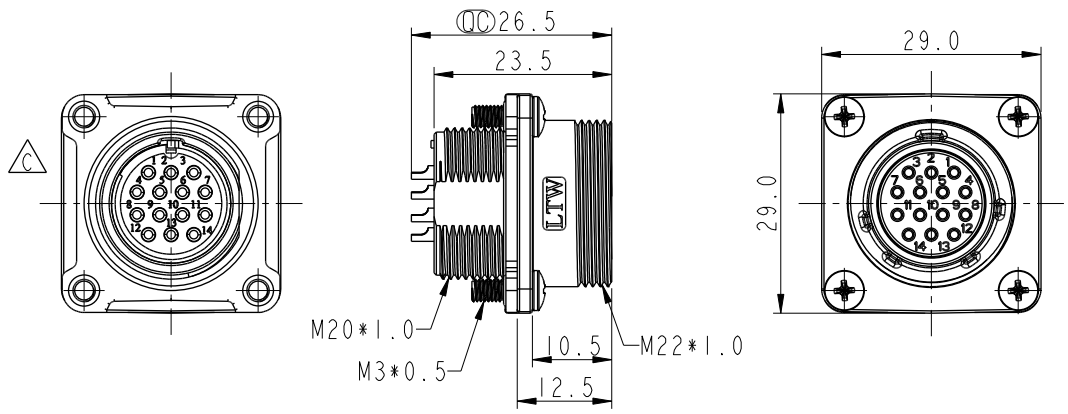
REV.	ECN NO.	DATE	SIGN	DESCRIPTION
D	LE31650218	2016/05/03	Vicky	Update Note
E	C210669	2021/04/30	Vicky	△E X5
F	C221869	2022/12/05	Vicky	△E XI



Recommend Panel Cut-Out



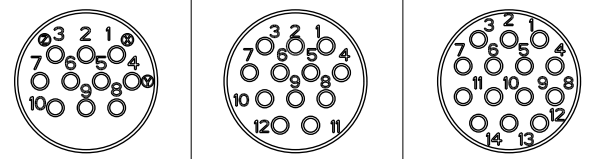
Assembly Instruction



- Note:
- \* RoHS Compliant
  - \*  $\text{CC}$  Important dimension
  - \* Waterproof rate: IP68, unmated 1m/24h
  - \* Connector
  - Housing: Thermoplastic, Black
  - Pin: Copper alloy, Gold plated
  - Gasket: Rubber, Gray
  - Shield: Metal
  - \* Gasket: Rubber, Gray
  - \* Screw: Metal
  - \* O-Ring: Rubber, Gray
  - \* For panel thickness max: 9.0mm
  - \* Gasket, screw+o-ring are packed separately in pe bag

△E HD20-XXPMFS-SW8001

XX: No. Of Pin



△E Pin Assignments Front View

UNIT:mm		TITLE	O SEN, M20 500H,5A RECEPTACLE, M, F, SOLDER	
TOLERANCE	.X ±0.25	SCALE	1:1	SIZE A4
.XX ±0.1		REV.	F	WC-REV. A.3
.XXX ±0.05		$\text{CC}$ : Inspection item		
ANGLES ±1°				

**Amphenol LTW**  
安費諾亮泰企業股份有限公司

ITEM NO	DRAWN BY	DATE
	Vicky	2016-05-03
DWG NO	CHECKED BY	DATE
△E HD20-XXPMFS-SW8001	Rita	2016-05-03
CUSTOMER	APPROVED BY	DATE
ALTW	Lisa	2016-05-03