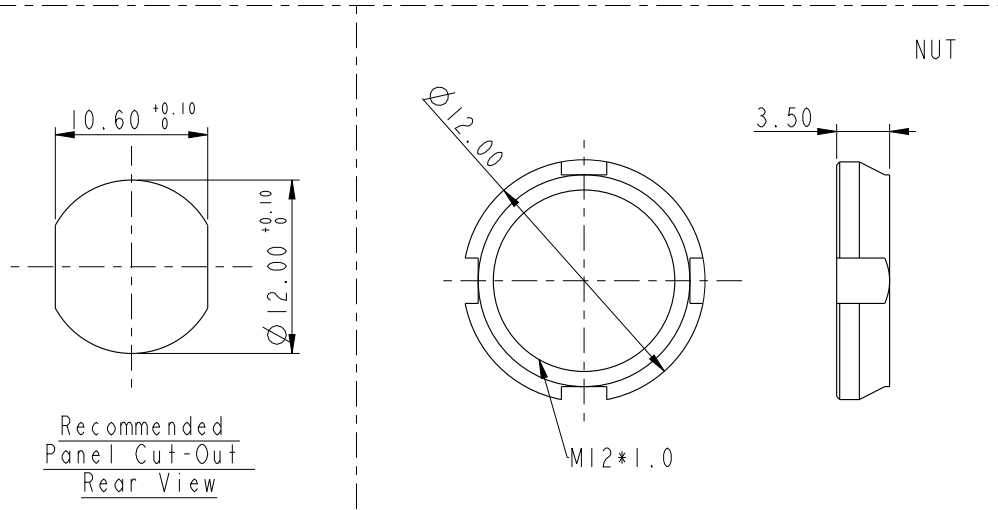
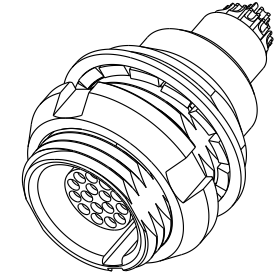
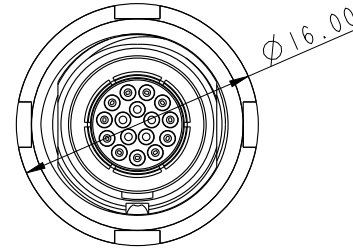
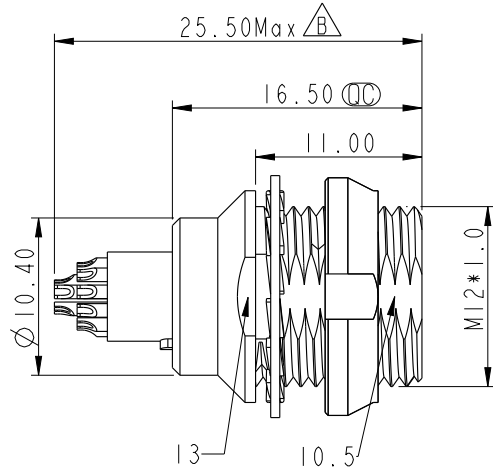


REV.	ECN NO.	DATE	SIGN	DESCRIPTION
B	C220669	2022-05-11	Ouyang	△ x2



- Note: △
- * RoHS Compliant
 - * (⊕) Important Dimension
 - * Connector
 - Housing: Thermoplastic, Beige
 - Pin: Copper Alloy, Gold Plated
 - * Shield: Meta
 - * Nut: Metal
 - * Use without waterproof cap or dust cap
Panel thickness max: 6.0mm
 - * Metal Gasket and nut are assembled on connectors

UNIT: mm

TOLERANCE
±0.5mm

TITLE FLO IB R PANEL CONNECTOR			
SCALE 1:1	SIZE A4	SHEET 1 OF 2	
REV. B	WC-REV. A.1	⊕: Inspection item	

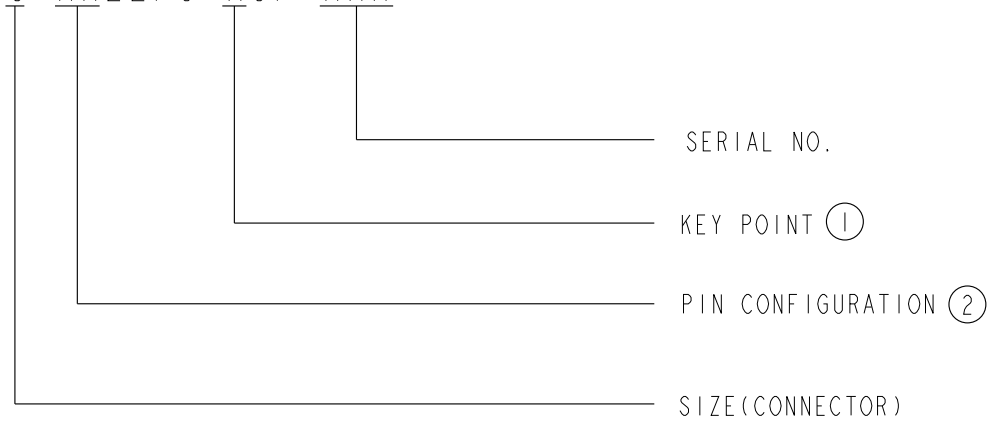
Amphenol LTW
安費諾亮泰企業股份有限公司

ITEM NO.	DRAWN BY Ouyang	DATE 2019-05-16
DWG NO. FLBC-XXEFS-XCP-XXX	CHECKED BY Jerry	DATE 2019-05-16
CUSTOMER ALTW	APPROVED BY Fred	DATE 2019-05-16

THIS DOCUMENT IS SUBJECT TO CHANGE WITHOUT NOTICE. IT IS CONFIDENTIAL AND A PROPERTY OF Amphenol LTW. DISCLOSURE TO THIRD PARTY HAS TO BE AUTHORIZED BY Amphenol LTW.

THIS DOCUMENT IS SUBJECT TO CHANGE WITHOUT NOTICE. IT IS CONFIDENTIAL AND A PROPERTY OF Amphenol LTW. DISCLOSURE TO THIRD PARTY HAS TO BE AUTHORIZED BY Amphenol LTW.

FLBC - XXEFS - XCP - XXX



KEY POINT ①

CODE	G	A	B	C	J	F
	0°	30°	60°	90°	45°	155°
GRAPHIC						

PIN CONFIGURATION (Solder Definition) ②

GRAPHIC										
	2PIN	3PIN	4PIN	5PIN	6PIN	7PIN	8PIN	10PIN	14PIN	16PIN

UNIT:mm		
TOLERANCE		
±0.5mm		

TITLE FLO I B R PANEL CONNECTOR		
SCALE 1:1	SIZE A4	SHEET 2 OF 2
REV. B	WC-REV. A.1	QC: Inspection item

Amphenol LTW
安費諾亮泰企業股份有限公司

ITEM NO	DRAWN BY Ouyang	DATE 2019-05-16
DWG NO FLBC-XXEFS-XCP-XXX	CHECKED BY Jerry	DATE 2019-05-16
CUSTOMER ALTW	APPROVED BY Fred	DATE 2019-05-16