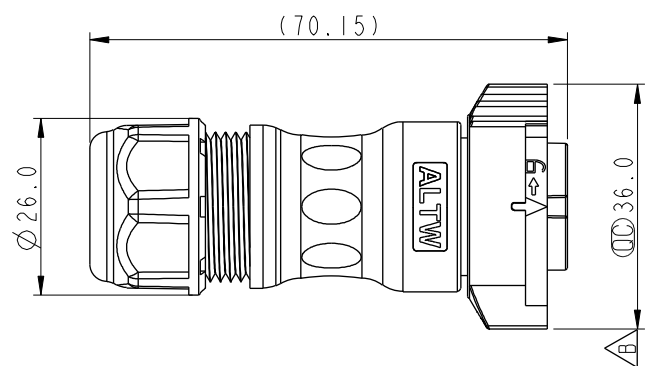
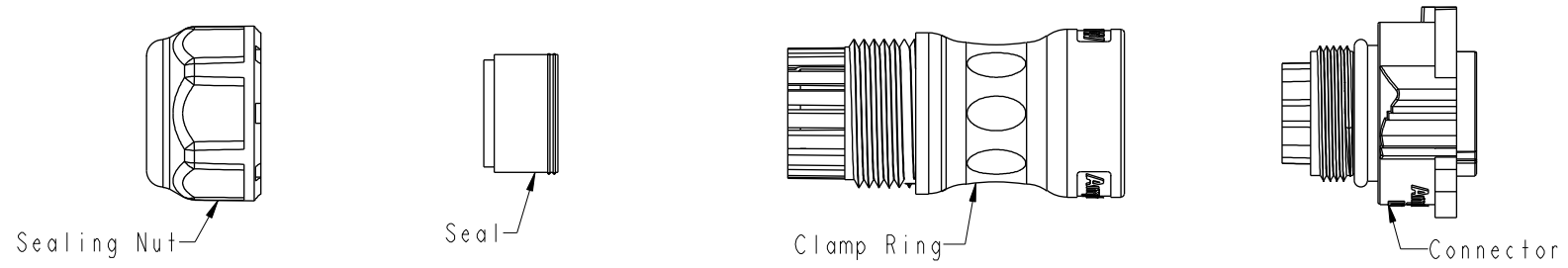


THIS DOCUMENT IS SUBJECT TO CHANGE WITHOUT NOTICE. IT IS CONFIDENTIAL AND A PROPERTY OF Amphenol LTW. DISCLOSURE TO THIRD PARTY HAS TO BE AUTHORIZED BY Amphenol LTW.

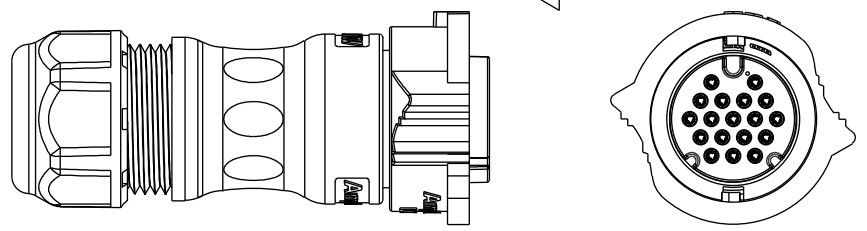
REV.	ECN NO.	DATE	SIGN	DESCRIPTION
B	E191899	2019/11/19	Ruru	$\triangle B$ X4



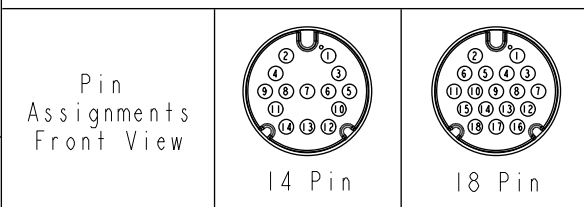
DD-XXBFFA-QL8XP0

14-14 Pin
18-18 Pin

S: With Red Color Seal 1, Cable OD 6.0~8.0mm.
M: With Yellow Color Seal 2, Cable OD 8.0~10.0mm.
L: With Blue Color Seal 3, Cable OD 10.0~12.0mm.
A: With Seal 1 & Seal 2 & Seal 3.



- $\triangle B$ Note:
- * ϕ Important Dimension
 - * Waterproof Rate: IP68, Mated
IP68 : 1M Depth Of Water In 24hours
 - * Housing: Thermoplastic, Black
 - * Pin: Copper Alloy, Gold Plated
 - * Clamp Ring: Thermoplastic, Black
 - * Sealing Nut: Thermoplastic, Black
 - * Seals: Rubber



UNIT:mm		TITLE	XLOK, D-5A, CABLE W/O SR F, F, FI CRIMP, XLOK $\triangle B$	
TOLERANCE	± 0.5 mm	SCALE	1:1	SIZE A4
REV.	B	WC-REV.	.0	SHEET 1 OF 1
		ϕ : Inspection item		

Amphenol LTW
安費諾亮泰企業股份有限公司

ITEM NO	DWG NO	CUSTOMER	DRAWN BY	CHECKED BY	APPROVED BY	DATE
	DD-XXBFFA-QL8XP0 $\triangle B$	ALTW	Ruru	Rita	Max	2019-11-19