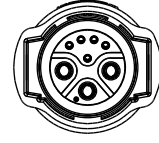
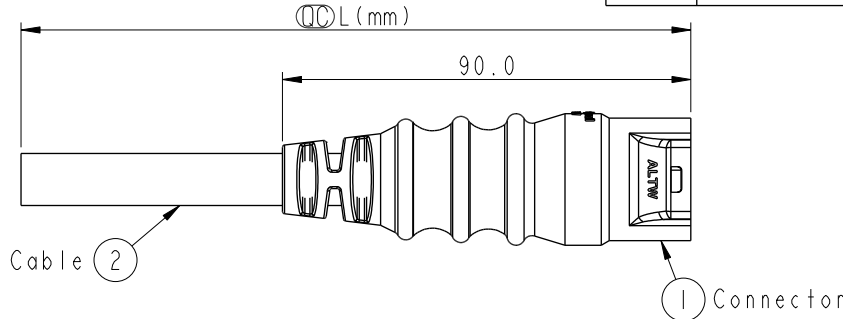
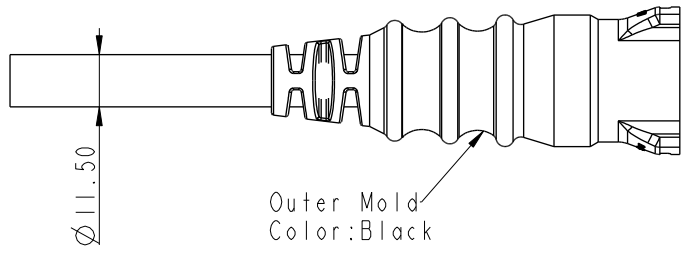
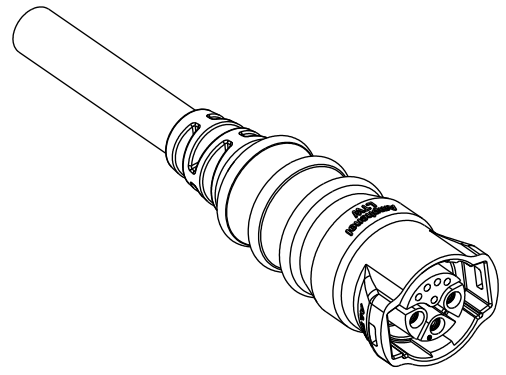


REV.	ECN NO.	DATE	SIGN	DESCRIPTION
B	C200960	2020/06/24	Ruru	$\triangle B$ X4

ALTW
CONFIDENTIAL
2020-06-24
R&D DEPT.



Conn.



$\triangle B$ DCD-XXAFFM-RL8FXX

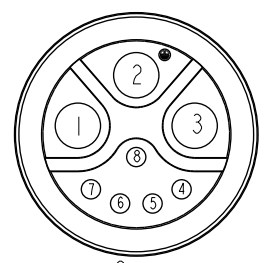
XX: No. Of Pin(Pin數)

- XX:01~99Meter
- 01:01Meter
- 02:02Meter
- ...
- 99:99Meter

Cable Length(L):01~99Meters

$\triangle B$ Note:

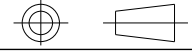
- * \odot Important Dimension To Check
- * Waterproof Rate: IP68
- * Housing: Thermoplastic, Black
- * Female Pin: Copper Alloy, Gold Plated
- * Gasket: Rubber, Gray
- * Cable: UL21996 3C*12AWG+(24#*2P+D+AL)
+F+AL/MY, PVC Jacket, OD=11.5, Black
- * Cable Length Tolerance: >0.3M~1.5M: +50/-0mm
>1.5M~3M: +100/-0mm
>3M~5M: +150/-0mm
>5M~10M: ± 100 mm
>10M~20M: ± 200 mm
>20M~30M: ± 300 mm
>30M~100M: ± 500 mm
- * Prohibiting the use of place in oils



Conn.
Pin Assignments
Front View

8	Drain (24AWG)	地線	
7	Yellow (24AWG)	黃	Twist
6	Orange (24AWG)	橙	
5	White (24AWG)	白	Twist
4	Green (24AWG)	綠	
3	Blue (12AWG)	藍	
2	Red (12AWG)	紅	
1	Black (12AWG)	黑	
Conn.	Wire Color		
	Pin Out		

UNIT:mm



TOLERANCE

± 0.5

TITLE RBL, D-20A+5A, 08P, CABLE W/SR F, F, MOLDING, RBL			
SCALE 3:4	SIZE A4	SHEET 1 OF 1	
REV. B	WC-REV. .0	\odot : Inspection item	

Amphenol LTW
安費諾亮泰企業股份有限公司

ITEM NO.	DRAWN BY Peng	DATE 2019-05-09
DWG NO. DCD-XXAFFM-RL8FXX	CHECKED BY Mafei	DATE 2019-05-09
CUSTOMER ALTW	APPROVED BY Jerry	DATE 2019-05-09

THIS DOCUMENT IS SUBJECT TO CHANGE WITHOUT NOTICE. IT IS CONFIDENTIAL AND A PROPERTY OF Amphenol LTW. DISCLOSURE TO THIRD PARTY HAS TO BE AUTHORIZED BY Amphenol LTW.