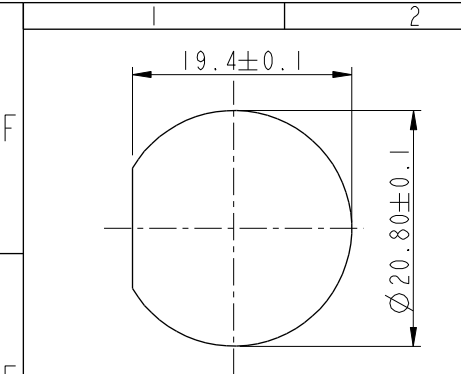
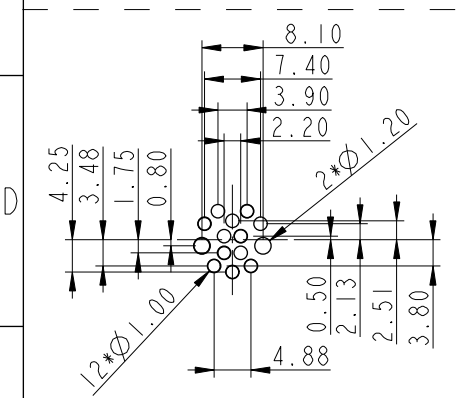


THIS DOCUMENT IS SUBJECT TO CHANGE WITHOUT NOTICE. IT IS CONFIDENTIAL AND A PROPERTY OF Amphenol LTW. DISCLOSURE TO THIRD PARTY HAS TO BE AUTHORIZED BY Amphenol LTW.

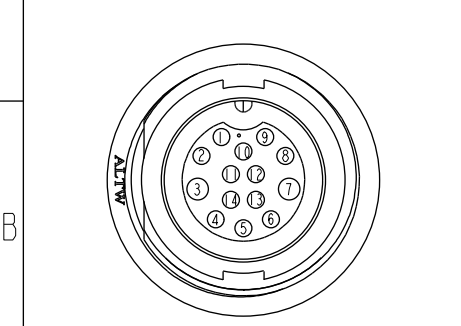
| REV. | ECN NO. | DATE | SIGN | DESCRIPTION |
|------|------------|------------|------|---------------|
| B | LEN-8B0190 | 2008/11/07 | Ivan | Add dimension |
| C | LEN1630529 | 2016/03/17 | Ruru | Change Logo |
| D | CI90310 | 2019/03/08 | Ruru | Modify Note |



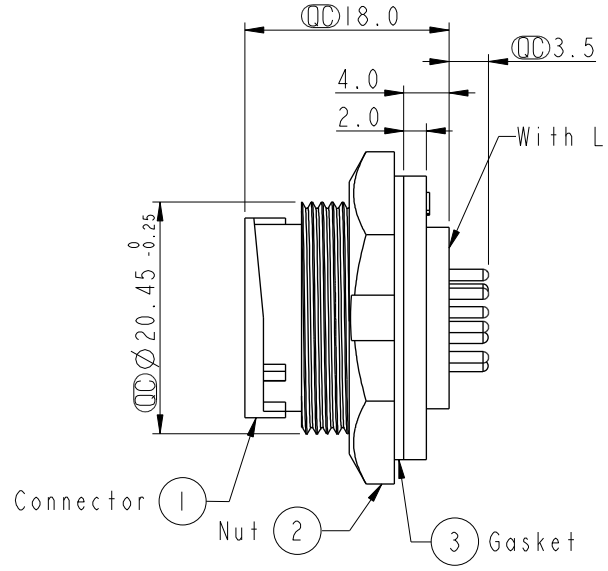
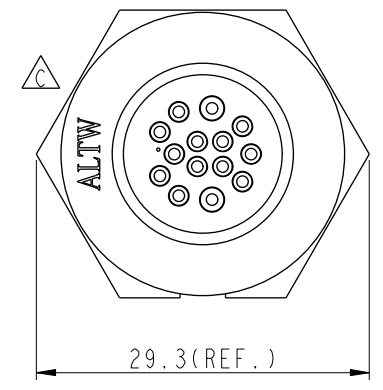
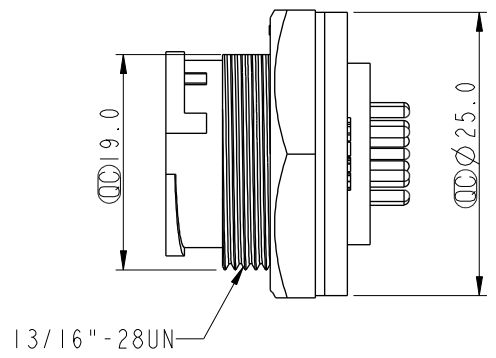
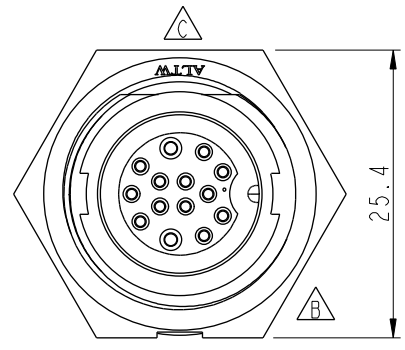
Recommended Panel Cut-Out



PCB Layout



Pin Assignments
Front View 前視圖



- Note: Important Dimension To Check.
- * Waterproof Rate: IP67, Unmated
 - * Housing: Thermoplastic, Black
 - * Pin: Copper Alloy, Gold Plated
 - * Nut: Thermoplastic, Black
 - * Gasket: Rubber, Black
 - * Use with waterproof cap or dust cap For Panel Thickness Max: 3.0mm
 - * Use without waterproof cap or dust cap For Panel Thickness Max: 4.0mm
 - * Gasket and Nut are packed separately in PE bags.

| | | |
|------------|----------|--|
| UNIT:mm | | |
| TOLERANCE | .X ±0.25 | |
| .XX ±0.1 | | |
| .XXX ±0.05 | | |
| ANGLES | ±1° | |

| | | | |
|---|----------------|--------------------|--|
| TITLE 14Pin Male Connector Female Pin(5A&2A) | | | |
| SCALE 1:1 | SIZE A4 | SHEET 1 OF 1 | |
| REV. D | WC-REV. A.4 | Ⓞ: Inspection item | |

Amphenol LTW
安費諾亮泰企業股份有限公司

| | | |
|-------------------------------|--------------------|--------------------|
| ITEM NO. CDU-14PMFP-LC7001 | DRAWN BY Ruru | DATE 2019-03-08 |
| DWG NO. CDU-14PMFP-LC7001 | CHECKED BY Rita | DATE 2019-03-08 |
| CUSTOMER ALTW | APPROVED BY Max | DATE 2019-03-08 |