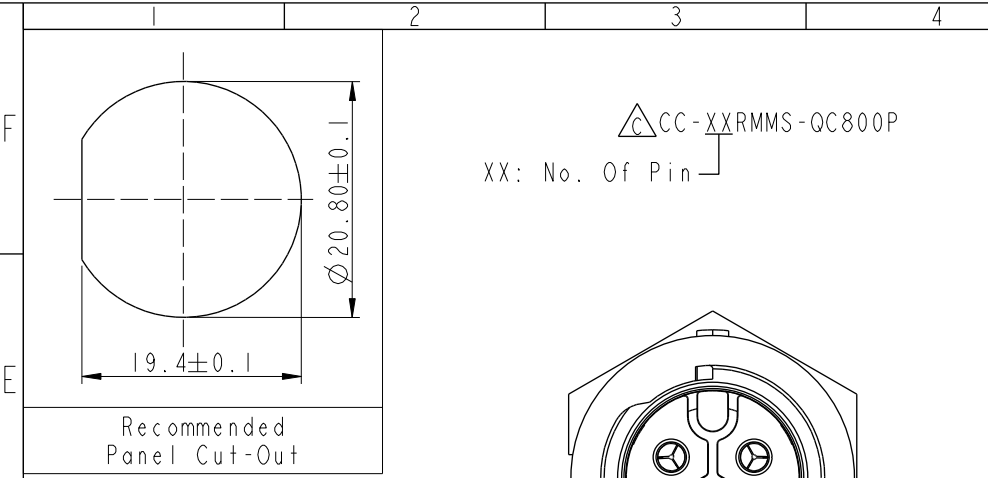
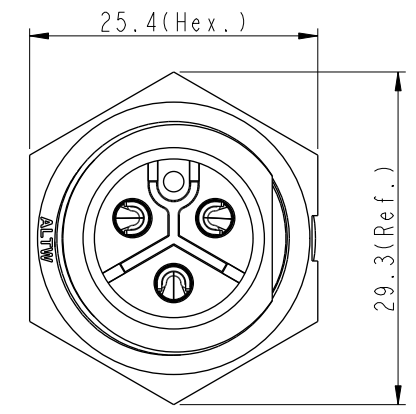
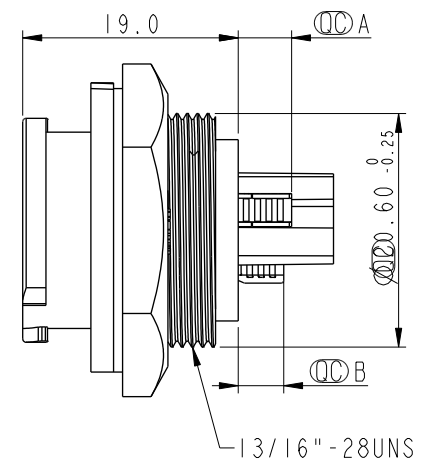
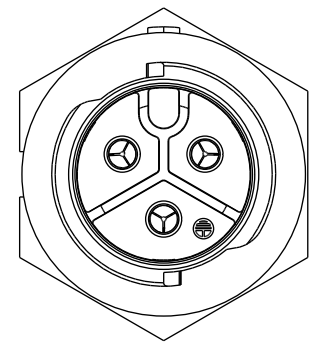


THIS DOCUMENT IS SUBJECT TO CHANGE WITHOUT NOTICE. IT IS CONFIDENTIAL AND A PROPERTY OF AMPHENOL LTW. DISCLOSURE TO THIRD PARTY HAS TO BE AUTHORIZED BY AMPHENOL LTW.

REV.	ECN NO.	DATE	SIGN	DESCRIPTION
A	Initial Release	2016/06/06	Tom_Gu	Change Rev.01 To Rev.A
B	C190470	2019/03/20	Vicky	Change Note
C	C220628	2022/05/10	Vicky	△ X5

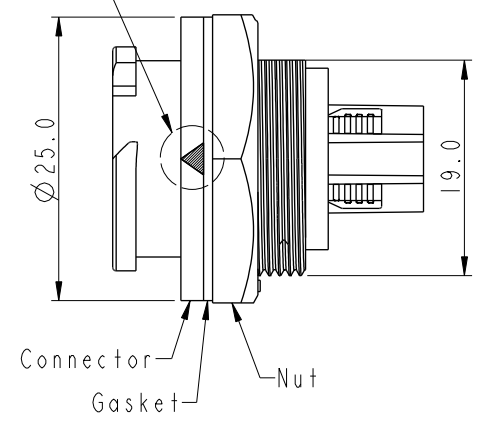


△ CC-XXRMMS-QC800P
XX: No. Of Pin

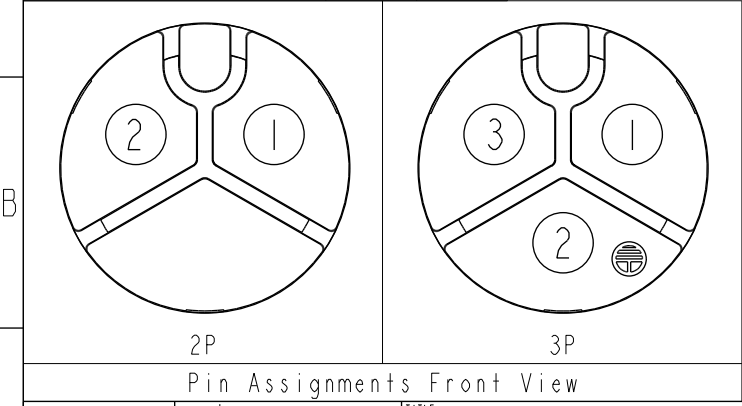


Item No.	A	B
CC-02RMMS-QC800P	4.7	
CC-03RMMS-QC800P	4.7	4.0

Ⓞ White Printing



△ B △ C
Note:
* RoHS Compliant
* Ⓞ Important dimension
* Waterproof rate: IPX8, unmated 1m/24h
* Connector
Housing: Thermoplastic, Black
Pin: Copper Alloy, Gold plated
* Nut: Thermoplastic, Black
* Gasket: Rubber, Gray
* For panel thickness max: 4.2mm
* Gasket and nut are packed separately in pe bag



UNIT: mm			TITLE X-Lok C Size Receptacle Rear 3Pin 20A M Conn. M Pin		
TOLERANCE	.X ±0.25	.XX ±0.1	SCALE 3:2	SIZE A4	SHEET 1 OF 1
ANGLES	.XXX ±0.05	±1°	REV. C	WC-REV. A.3	Ⓞ: Inspection item

Amphenol LTW
安費諾亮泰企業股份有限公司

ITEM NO.	DRAWN BY	DATE
DWG NO.	Vicky	2019-03-20
△ CC-XXRMMS-QC800P	CHECKED BY	DATE
CUSTOMER	Rita	2019-03-20
ALTW	APPROVED BY	DATE
	Max	2019-03-20