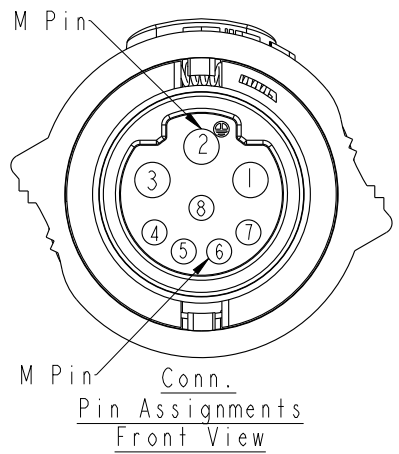
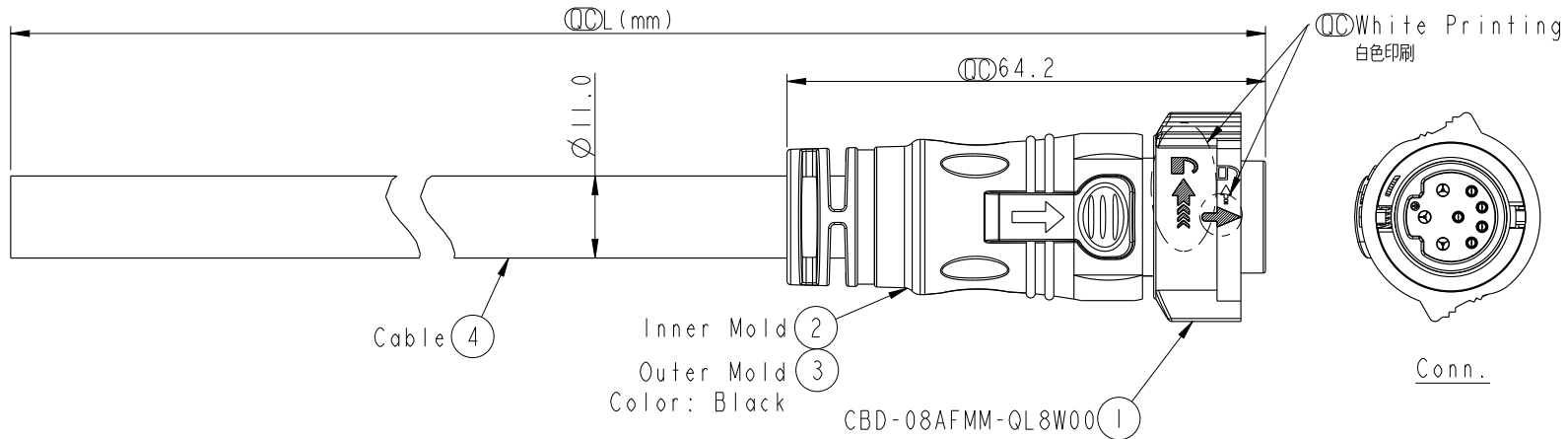
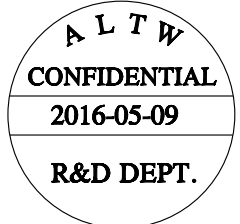


THIS DOCUMENT IS SUBJECT TO CHANGE WITHOUT NOTICE. IT IS CONFIDENTIAL AND A PROPERTY OF Amphenol LTW. DISCLOSURE TO THIRD PARTY HAS TO BE AUTHORIZED BY Amphenol LTW.

REV.	ECN NO.	DATE	SIGN	DESCRIPTION
A	Initial Release	2016-05-09	Spring	Change Rev.01 To Rev.A



8	Drain (26AWG)	地線	Twist 對線
7	Blue (26AWG)	藍	
6	Red (26AWG)	紅	Twist 對線
5	Green (26AWG)	綠	
4	White (26AWG)	白	
3	Black (16AWG)	黑	
2	Green (16AWG)	綠	
1	White (16AWG)	白	
Conn.	Wire Color		
Pin Out			

CBD-08AFMM-QL8FXX  
 ↑  
 XX : 01~99Meters  
 01 : 01Meter  
 02 : 02Meters  
 :  
 :  
 99 : 99Meters  
 Cable Length(L): 01~99Meters

- Note:
- \*  $\varnothing$  Important Dimension To Check.
  - \* Waterproof Rate: IP68(Mated, 1M/24hr)
  - \* Working Voltage Rating:  
Power AC/DC 300V  
Data DC 30V
  - \* Working Current:  
Power: 10A  
Data: 05A
  - \* Housing: Nylon+GF, Black
  - \* Pins: Copper Alloy, Gold & Ni Plated
  - \* Cable: UL21996 3C\*16AWG+(26#\*2P+D+AL)+F+AL/MY, PVC Jacket, OD=11.0, Black.
  - \* Cable Length Tolerance: 01M:±40mm  
02M~05M:±60mm  
06M~10M:±100mm  
11M~30M:±200mm  
31M~99M:±500mm

UNIT:mm   
 TOLERANCE ±0.5

TITLE X-Lok C Size Cable Molding 8 Pin F Connector M Pin			
SCALE 1:1	SIZE A4	SHEET 1 OF 1	
REV. A	WC-REV. A.1	$\varnothing$ : Inspection item	

**Amphenol LTW**  
 安費諾亮泰企業股份有限公司

ITEM NO	DRAWN BY Spring	DATE 2016-05-09
DWG NO CBD-08AFMM-QL8FXX	CHECKED BY Fisher	DATE 2016-05-09
CUSTOMER ALTW	APPROVED BY Kevin	DATE 2016-05-09