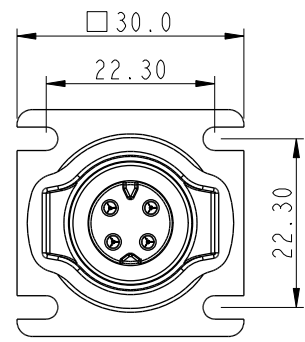
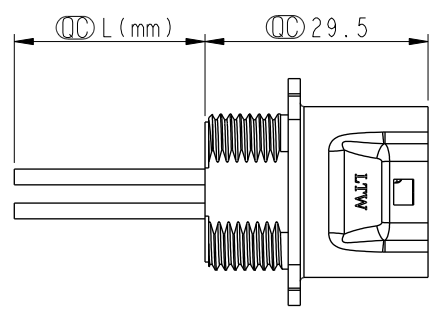
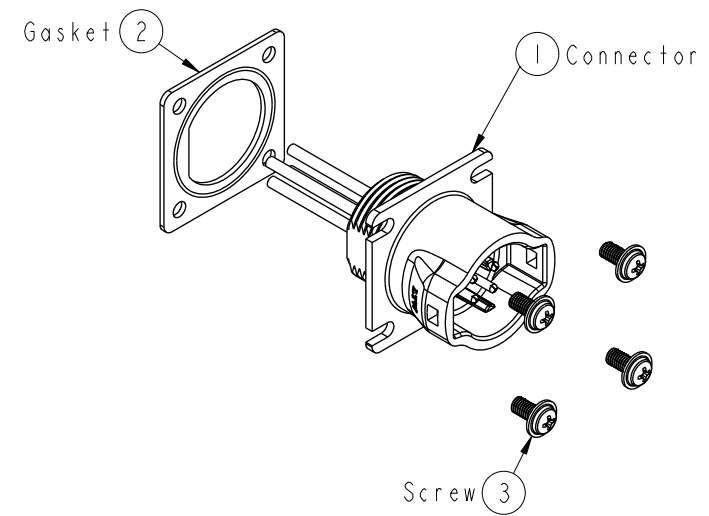
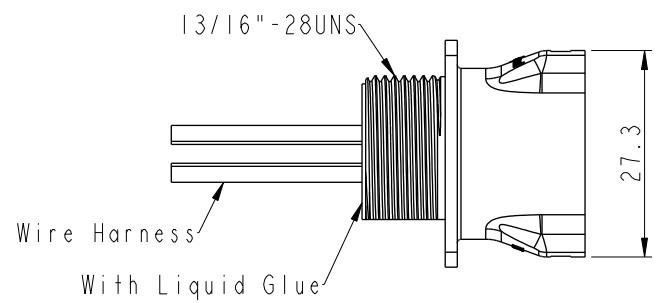


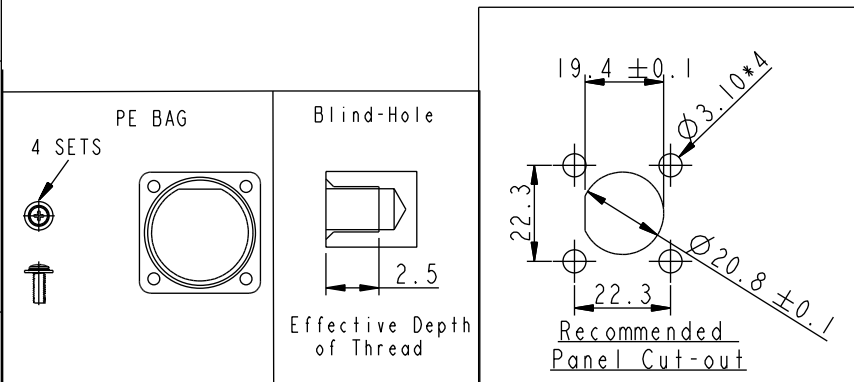
THIS DOCUMENT IS SUBJECT TO CHANGE WITHOUT NOTICE. IT IS CONFIDENTIAL AND A PROPERTY OF Amphenol LTW. DISCLOSURE TO THIRD PARTY HAS TO BE AUTHORIZED BY Amphenol LTW.

REV.	ECN NO.	DATE	SIGN	DESCRIPTION
A		2020/05/13	Vicky	Initial Released



Note:

- * \varnothing Important Dimension To Check.
- * Waterproof Rate: IP68, Unmated
IP68: 1M Depth of water in 24 hours
- * Connector: Thermoplastic, Black
- * Male Pin: Copper Alloy, Gold Plated.
- * Gasket: Rubber, Gray.
- * Wire Harness: UL1015, 16AWG
- * Blind holes for the screws used M3X0.5mm
- * Blind Hole Size M3X0.5mm
- * Wire harness Tolerance: 100mm \pm 10mm
101~300mm \pm 15mm
301~1000mm \pm 20mm
- * Prohibiting the use of place in oils



UNIT:mm		TITLE	RBL, C-10A, REAR FASTENED F, M, SOLDER, RBL	
TOLERANCE	$\pm 0.5\text{mm}$	SCALE	1:1	SIZE A4
		REV.	A	WC-REV. A.1
				SHEET 1 OF 2
				\varnothing : Inspection item

Amphenol LTW
安費諾亮泰企業股份有限公司

ITEM NO	DRAWN BY	DATE
	Vicky	2020-05-13
DWG NO	CHECKED BY	DATE
CB-XXRFMS-RS8CXX	Rita	2020-05-13
CUSTOMER	APPROVED BY	DATE
ALTW	Max	2020-05-13

THIS DOCUMENT IS SUBJECT TO CHANGE WITHOUT NOTICE. IT IS CONFIDENTIAL AND A PROPERTY OF Amphenol LTW. DISCLOSURE TO THIRD PARTY HAS TO BE AUTHORIZED BY Amphenol LTW.

1 2 3 4 5 6 7 8

F

E

D

C

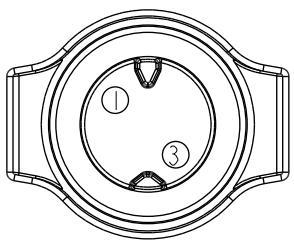
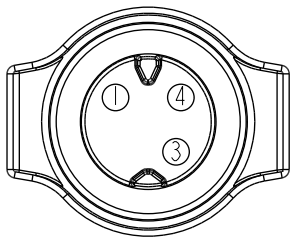
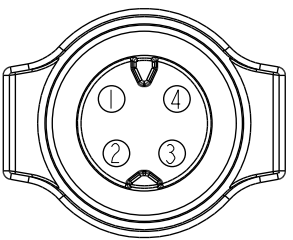
B


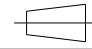
A

CB-XXRFMS-RS8CXX

XX:No. Of Pin(Pin 數)

10 : 100mm
 15 : 150mm
 20 : 200mm
 ↓
 A0 : 1000mm
 Cable Pitch Unit: 50mm
 Wire Length(L): 100~1000mm

Pin Out	4 -- 3 Red 紅 2 -- 1 Black 黑	4 Brown 棕 3 Red 紅 2 -- 1 Black 黑	4 Brown 棕 3 Red 紅 2 Orange 橙 1 Black 黑
Pin Assignments Front View	 2Pin	 3Pin	 4Pin

UNIT:mm			TITLE RBL, C-10A, REAR FASTENED F, M, SOLDER, RBL
TOLERANCE ±0.5mm	SCALE 1:1	SIZE A4	SHEET 2 OF 2
	REV. A	WC-REV. A.1	QC: Inspection item

Amphenol LTW
 安費諾亮泰企業股份有限公司

ITEM NO	DRAWN BY Vicky	DATE 2020-05-13
DWG NO CB-XXRFMS-RS8CXX	CHECKED BY Rita	DATE 2020-05-13
CUSTOMER ALTW	APPROVED BY Max	DATE 2020-05-13

1 2 3 4 5 6 7 8 W10814-03-001A2