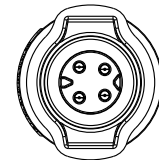
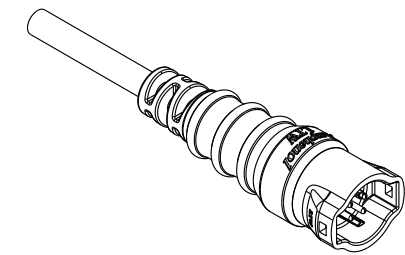
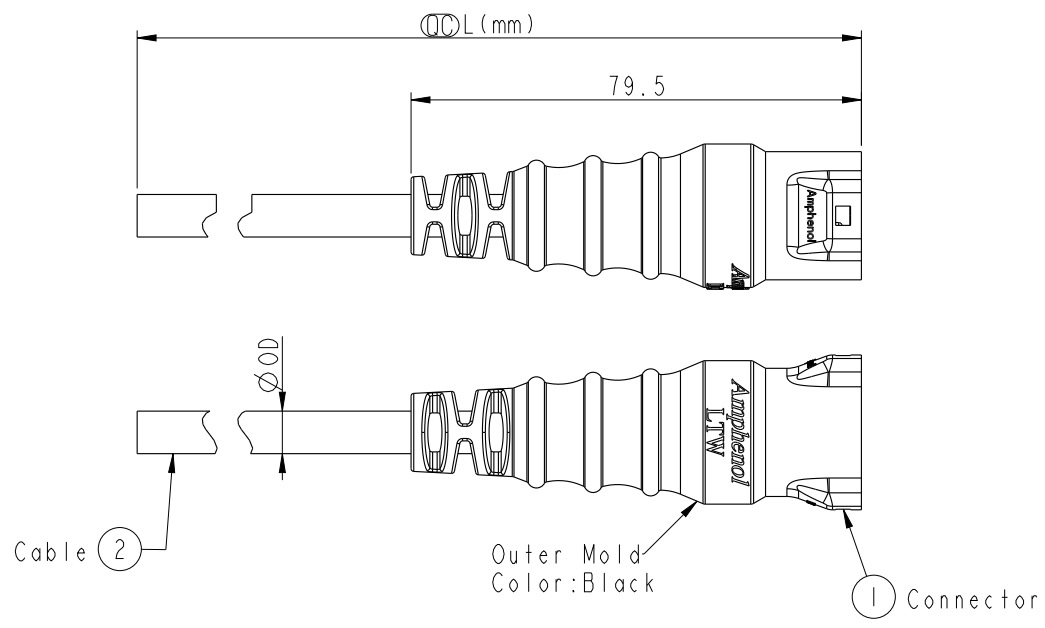
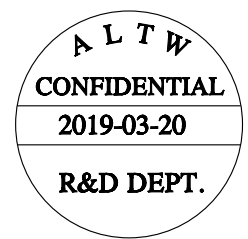


THIS DOCUMENT IS SUBJECT TO CHANGE WITHOUT NOTICE. IT IS CONFIDENTIAL AND A PROPERTY OF AMPHENOL LTW. DISCLOSURE TO THIRD PARTY HAS TO BE AUTHORIZED BY AMPHENOL LTW.

REV.	ECN NO.	DATE	SIGN	DESCRIPTION



Conn



- Note:
- * \varnothing Important Dimension To Check.
 - * Waterproof Rate: IP68
 - * Housing: M-PPE, Black.
 - * Male Pin: Copper Alloy, Gold Plated.
 - * Cable: UL21388 16#, PVC Jacket, UV Resistant, Black.
 - * Cable Length Tolerance: 01M: ±40mm
02M~05M: ±60mm
06M~10M: ±100mm
11M~30M: ±200mm
31M~99M: ±500mm
 - * Prohibiting the use of place in oils

CB-02AFMM-RL8DXX	∅ 6.0
CB-02AFMM-RL8DXX	∅ 6.5
CB-02AFMM-RL8DXX	∅ 6.8
Part No.	Cable OD

UNIT: mm		
TOLERANCE	±0.5	

TITLE			
MIDDLE CABLE RBL F CONN M PIN			
SCALE	SIZE	SHEET	OF
3:4	A4	1	2
REV.	WC-REV.	\varnothing : Inspection item	
A	A.1		

Amphenol LTW
安費諾亮泰企業股份有限公司

ITEM NO.	DRAWN BY	DATE
	Peng	2019-03-20
DWG NO.	CHECKED BY	DATE
CB-XXAFMM-RL8DXX	Mafei	2019-03-20
CUSTOMER	APPROVED BY	DATE
ALTW	Jerry	2019-03-20

THIS DOCUMENT IS SUBJECT TO CHANGE WITHOUT NOTICE. IT IS CONFIDENTIAL AND A PROPERTY OF AMPHENOL LTW. DISCLOSURE TO THIRD PARTY HAS TO BE AUTHORIZED BY AMPHENOL LTW.

1 2 3 4 5 6 7 8

F

E

D

C

B

A

CB-XXAFMM-RL8D XX

Middle Size Current Rating 10A

XX:No. Of Pin(Pin 數)

A:Cable With S/R(線端帶網尾)

F:Female Connector(母座)

M:Male Pin(公Pin)

M:Molding Type(射出成型)

XX:01~99Meter

01:01Meter

02:02Meter

...

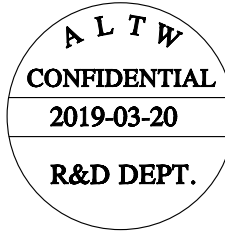
99:99Meter

D:UL 21388 Cable

8:IP68(防水等級 68)

L:Straight(180°)

R:Snap In With Latch(彈臂卡合式)



Pin Out	4 -- 3 Red 紅 2 -- 1 Black 黑	4 Brown 棕 3 Red 紅 2 -- 1 Black 黑	4 Brown 棕 3 Red 紅 2 Orange 橙 1 Black 黑
Pin Assignments Front View	 2Pin	 3Pin	 4Pin

UNIT:mm		TITLE MIDDLE CABLE RBL F CONN M PIN	Amphenol LTW 安費諾亮泰企業股份有限公司		ITEM NO	DRAWN BY Peng	DATE 2019-03-20
TOLERANCE ±0.5		SCALE 3:4	SIZE A4	SHEET 2 OF 2	DWG NO CB-XXAFMM-RL8DXX	CHECKED BY Mafei	DATE 2019-03-20
REV. A	WC-REV. A.1	QC: Inspection item		CUSTOMER ALTW	APPROVED BY Jerry	DATE 2019-03-20	

1 2 3 4 5 6 7 8 W10814-03-01A2