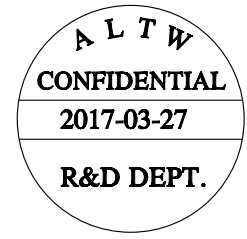
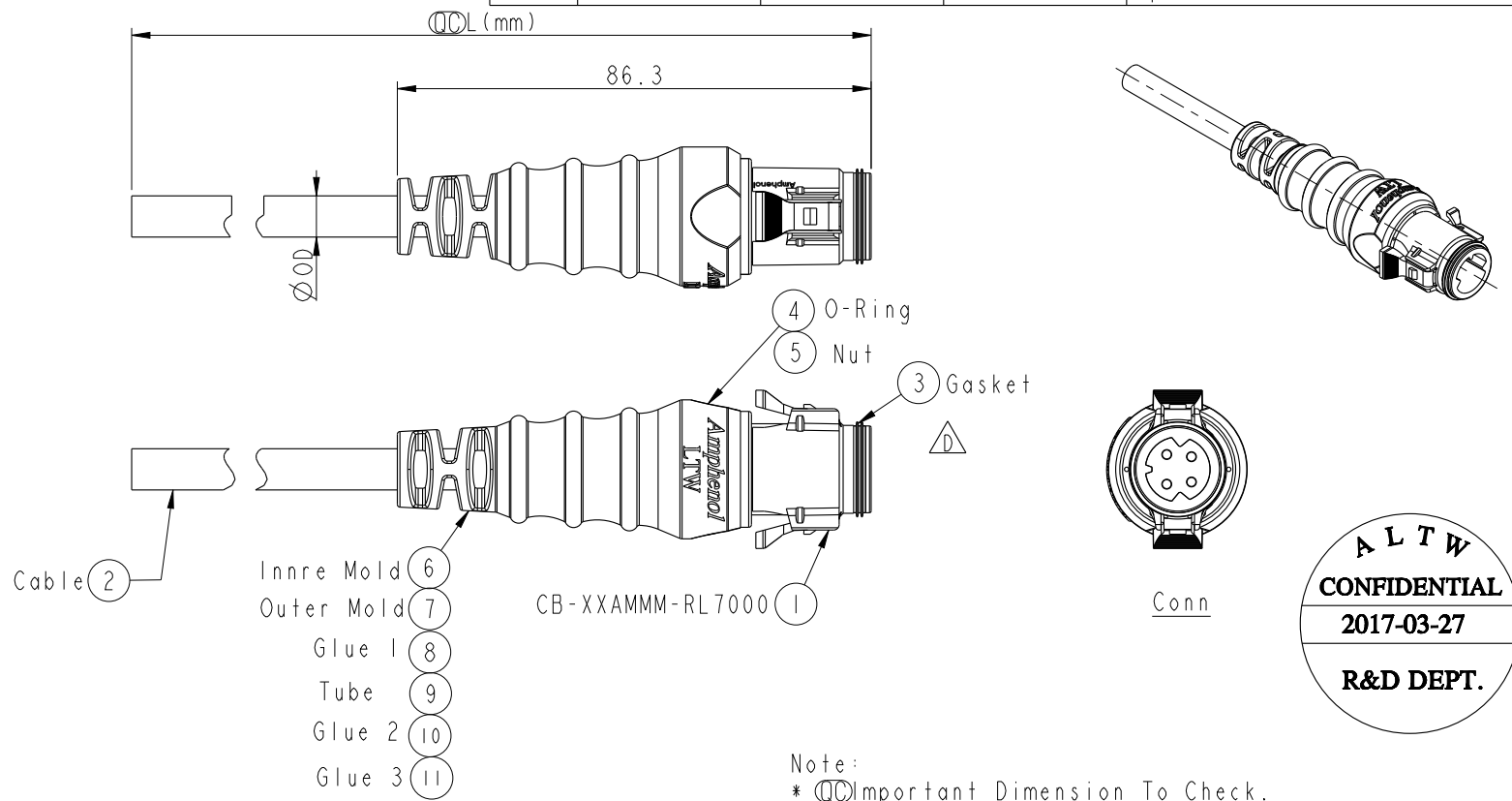


THIS DOCUMENT IS SUBJECT TO CHANGE WITHOUT NOTICE. IT IS CONFIDENTIAL AND A PROPERTY OF Amphenol LTW. DISCLOSURE TO THIRD PARTY HAS TO BE AUTHORIZED BY Amphenol LTW.

| REV. | ECN NO. | DATE | SIGN | DESCRIPTION |
|------|-----------------------------|------------|-------|----------------------------|
| B | LEN1580282-83 LE31580193 | 2015/08/12 | Lu Di | Change To Common Drawing |
| C | LEN1680342 LEN1680356-57 | 2016/08/06 | Mafei | Updated The Pin Out Color. |
| D | LE31740041~43 | 2017/03/27 | Mafei | Updated The Connector. |



Note:

- * (QCCL) Important Dimension To Check.
- * Waterproof Rate: IP67
- * Housing: M-PPE , Black.
- * Male Pin: Copper Alloy, Gold Plated.
- * Gasket: Silicone, Gray.
- * Cable: UL2464 16#, PVC Jacket, UV Resistant, Black.
- * Cable Length Tolerance: 01M:±40mm
02M~05M:±60mm
06M~10M:±100mm
11M~30M:±200mm
31M~99M:±500mm

* Prohibiting the use of place in oils

| | |
|------------------|----------|
| CB-02AMMM-RL7AXX | ∅7.8 |
| CB-03AMMM-RL7AXX | ∅7.5 |
| CB-04AMMM-RL7AXX | ∅7.5 |
| Part No. | Cable OD |

| | | |
|------------------|------|--|
| UNIT:mm | | |
| TOLERANCE | ±0.5 | |

| | | | |
|---|----------------|-----------------------|--|
| TITLE MIDDLE CABLE RBL M CONN M PIN | | | |
| SCALE 3:4 | SIZE A4 | SHEET 1 OF 2 | |
| REV. D | WC-REV. A.3 | QCCL: Inspection item | |

Amphenol LTW
安費諾亮泰企業股份有限公司

| | | |
|----------------------------|---------------------|--------------------|
| ITEM NO | DRAWN BY Mafei | DATE 2017-03-27 |
| DWG NO CB-XXAMMM-RL7AXX | CHECKED BY Jerry | DATE 2017-03-27 |
| CUSTOMER ALTW | APPROVED BY Max | DATE 2017-03-27 |

THIS DOCUMENT IS SUBJECT TO CHANGE WITHOUT NOTICE. IT IS CONFIDENTIAL AND A PROPERTY OF AMPHENOL LTW. DISCLOSURE TO THIRD PARTY HAS TO BE AUTHORIZED BY AMPHENOL LTW.



CB-XXAMMM-RL7A XX

Middle Size Current Rating 10A

XX:No. Of Pin (Pin 數)

A:Cable With S/R (線端帶網尾)

M:Male Connector (公座)

M:Male Pin (公Pin)

M:Molding Type (射出成型)

XX:01~99Meter

01:01Meter

02:02Meter

⋮

⋮

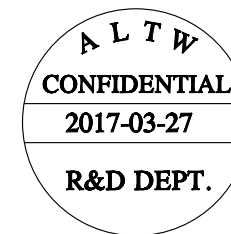
99:99Meter

A:UL 2464 Cable

7:IP67(防水等級 67)

L: Straight (180°)

R: Snap In With Latch (彈臂卡合式)



| | | | | | | |
|----------------------------|------|---------|------|---------|------|----------|
| Pin Out | 4 | -- | 4 | Green 綠 | 4 | Orange 橙 |
| | 3 | Red 紅 | 3 | White 白 | 3 | Red 紅 |
| | 2 | -- | 2 | -- | 2 | Brown 棕 |
| | 1 | Black 黑 | 1 | Black 黑 | 1 | Black 黑 |
| Pin Assignments Front View | | | | | | |
| | 2Pin | | 3Pin | | 4Pin | |

| | | | | | | |
|---------------------|--|-------------------------------|---------|--------------------|-------------|------------|
| UNIT:mm | | TITLE | | ITEM NO | DRAWN BY | DATE |
| | | MIDDLE CABLE RBL M CONN M PIN | | | | |
| TOLERANCE ±0.5 | | SCALE | SIZE | DWG NO | CHECKED BY | DATE |
| | | 3:4 | A4 | CB-XXAMMM-RL7AXX | Jerry | 2017-03-27 |
| | | REV. | WC-REV. | CUSTOMER | APPROVED BY | DATE |
| | | D | A.3 | ALTW | Max | 2017-03-27 |
| | | SHEET 2 OF 2 | | ②: Inspection item | | |
| Amphenol LTW | | | | | | |
| 安費諾亮泰企業股份有限公司 | | | | | | |
| 8 FMW10702-01-02A1 | | | | | | |