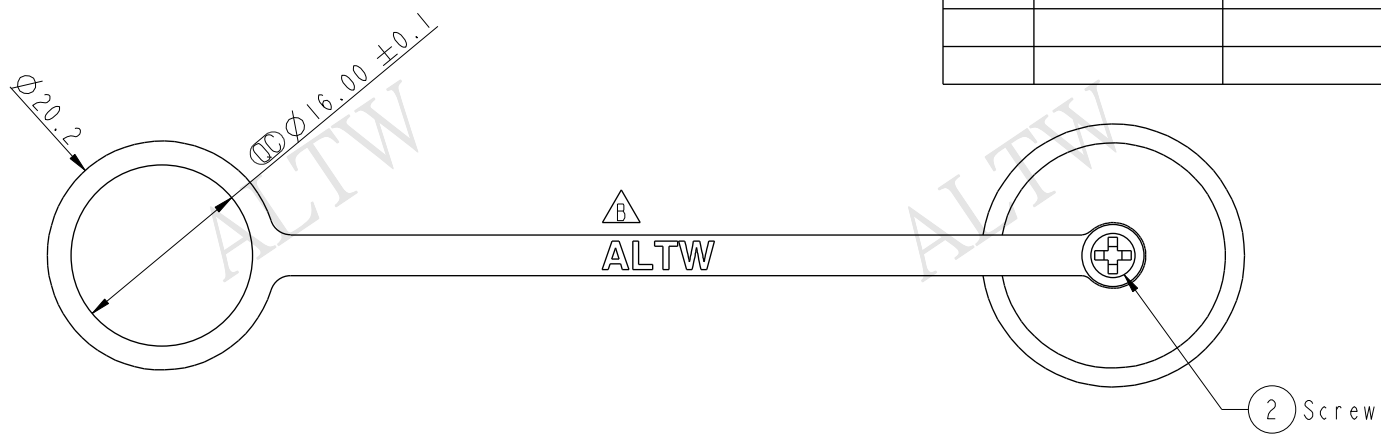
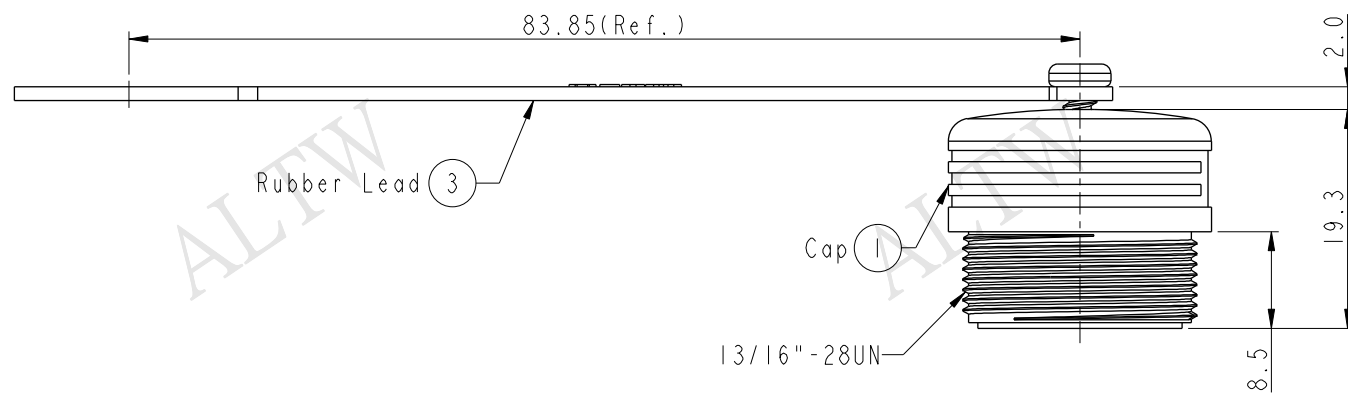


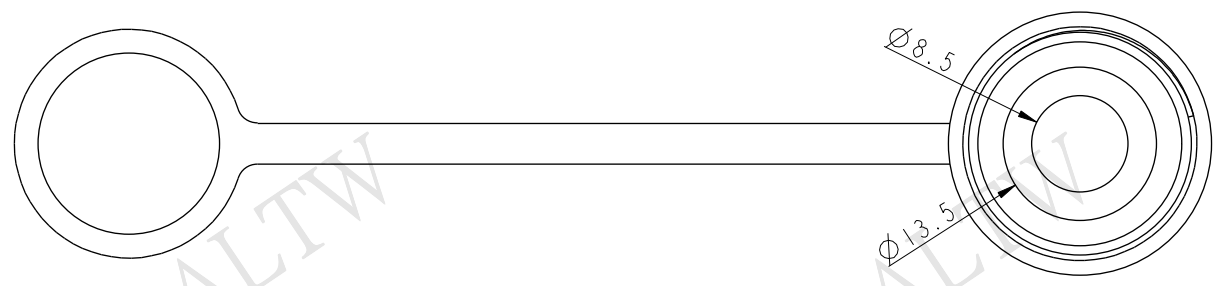
REV.	ECN NO.	DATE	SIGN	DESCRIPTION
B	LEN1560176	2015/06/04	Vicky	Update Logo



ALTW  
CONFIDENTIAL  
2015-06-04  
R&D DEPT.



ALTW  
DCC. DEPT.  
CONFIDENTIAL  
2015.06.17  
ISSUED



Note:  
 \*  $\varnothing$  Important Dimension To Check.  
 \* Waterproof Rate: IP67.  
 \* Cap: Nylon+GF, Black.  
 \* Rubber Lead: TPES, Black.  
 \* Screw os not allowed to tight(Chain be revolve)  
 不可將螺絲鎖緊(Rubber Lead要可旋轉)

UNIT:mm		
TOLERANCE		
.X	±0.25	
.XX	±0.1	
.XXX	±0.05	
ANGLES	±1°	

TITLE Waterproof Cap For USB Female Conn 13/16"-28UN Screw Type			
SCALE 3:2	SIZE A4	SHEET 1 OF 1	
REV. B	WC-REV. A.3	$\varnothing$ : Inspection item	

**Amphenol LTW**  
安費諾亮泰企業股份有限公司

ITEM NO CAP-WUSFSCCI	DRAWN BY Vicky	DATE 2015-06-04
DWG NO CAP-WUSFSCCI	CHECKED BY Rita	DATE 2015-06-04
CUSTOMER ALTW	APPROVED BY Lion	DATE 2015-06-04

THIS DOCUMENT IS SUBJECT TO CHANGE WITHOUT NOTICE. IT IS CONFIDENTIAL AND A PROPERTY OF Amphenol LTW. DISCLOSURE TO THIRD PARTY HAS TO BE AUTHORIZED BY Amphenol LTW.