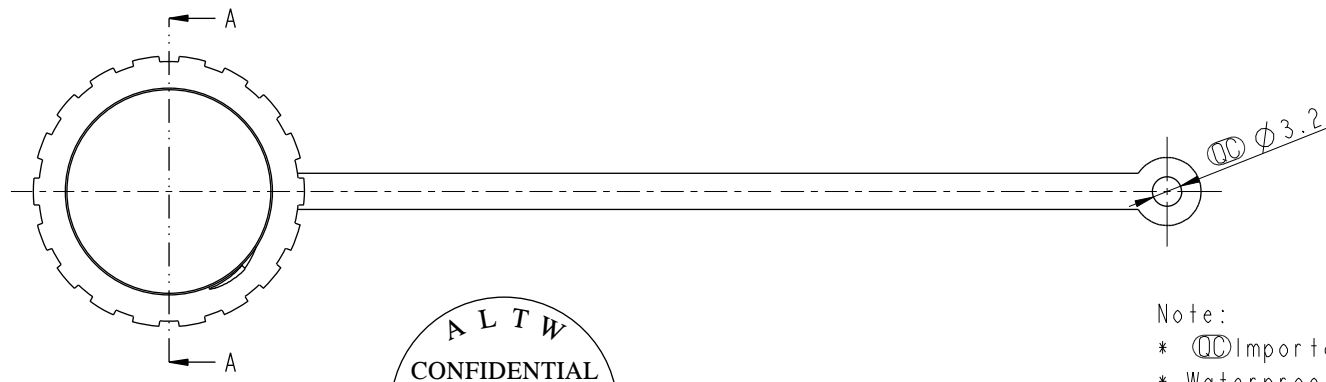
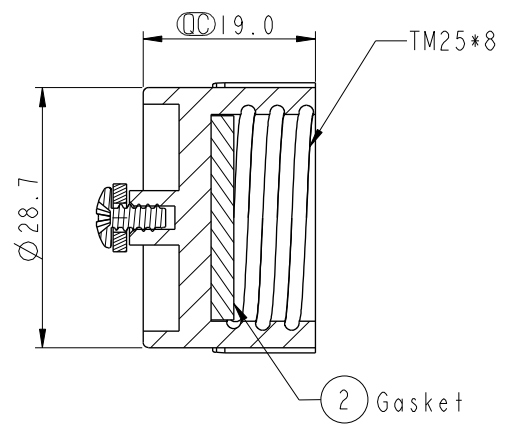
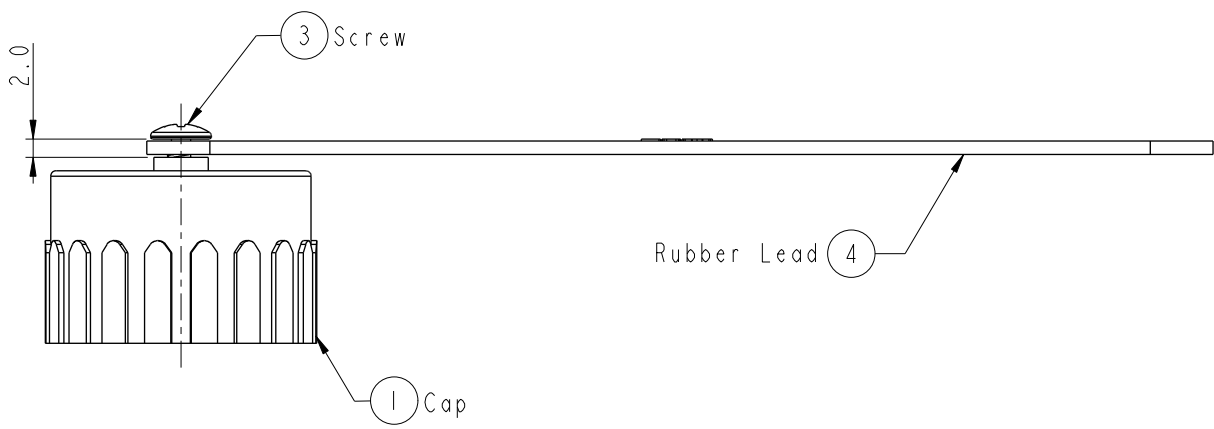


THIS DOCUMENT IS SUBJECT TO CHANGE WITHOUT NOTICE. IT IS CONFIDENTIAL AND A PROPERTY OF Amphenol LTW. DISCLOSURE TO THIRD PARTY HAS TO BE AUTHORIZED BY Amphenol LTW.

REV.	ECN NO.	DATE	SIGN	DESCRIPTION
A	Initial Release	2013/09/12	Vicky	Old Item No. CAP-WTAMMSCI



ALTW
 CONFIDENTIAL
 2013-09-12
 R&D DEPT.

Note:

- * \varnothing Important Dimension.
- * Waterproof Rate: IP67
- * Cap: Nylon+GF, Black
- * Gasket: EPDM, Black
- * Rubber Lead: TPES, Black
- * Screw is not allowed to tight (Chain be revolve)

不可將螺絲鎖緊，(鏈條要可旋轉)

ALTW
 DCC. DEPT.
 CONFIDENTIAL
 2013.09.16
 ISSUED

UNIT: mm TOLERANCE .X ±0.25 .XX ±0.1 .XXX ±0.05 ANGLES ±1°		TITLE Power Waterproof Cap TM25*8 For Male Conn Screw Type		Amphenol LTW 安費諾亮泰企業股份有限公司		ITEM NO. CAP-WTAMSPCI	DRAWN BY Vicky	DATE 2013-09-12	
		SCALE 6:5	SIZE A4			SHEET 1 OF 1	DWG NO. CAP-WTAMSPCI	CHECKED BY Sam	DATE 2013-09-12
		REV. A	WC-REV. A.1			\varnothing : Inspection item	CUSTOMER ALTW	APPROVED BY Rita	DATE 2013-09-12