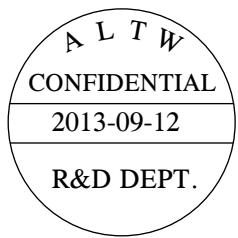
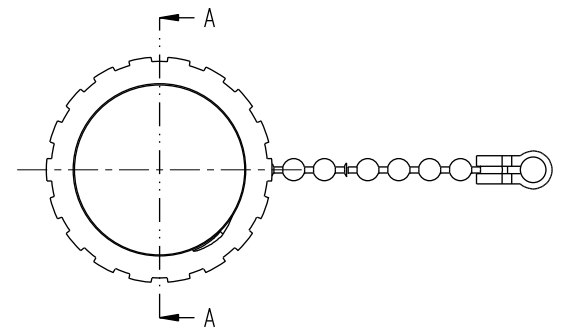
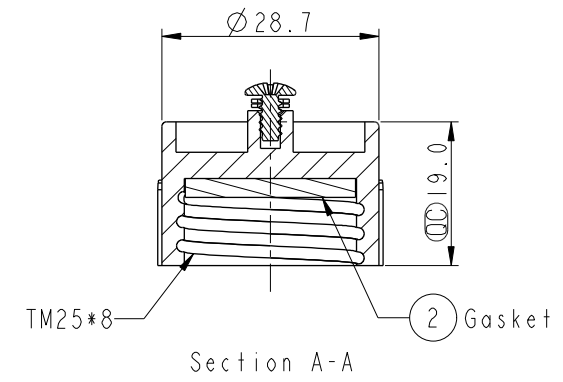
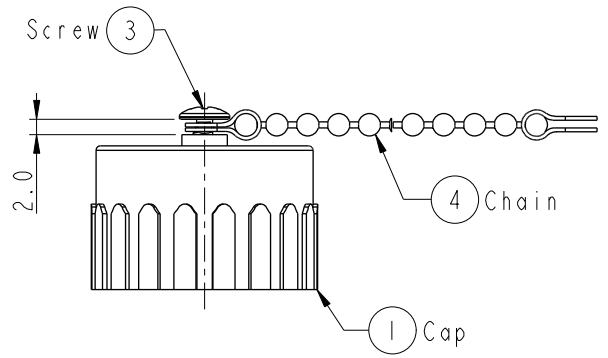


THIS DOCUMENT IS SUBJECT TO CHANGE WITHOUT NOTICE. IT IS CONFIDENTIAL AND A PROPERTY OF Amphenol LTW. DISCLOSURE TO THIRD PARTY HAS TO BE AUTHORIZED BY Amphenol LTW.

REV.	ECN NO.	DATE	SIGN	DESCRIPTION
A	Initial Release	2013/09/12	Vicky	Old Item No. CAP-WTAMMSBI



Note:

- * \varnothing Important Dimension.
- * Waterproof Rate: IP67
- * Cap: Nylon+GF, Black
- * Gasket: EPDM, Black
- * Screw is not allowed to tight (Chain be revolve)
不可將螺絲鎖緊, (鏈條要可旋轉)

A	UNIT: mm			TITLE Power Waterproof Cap TM25*8 For Male Conn Screw Type			Amphenol LTW 安費諾亮泰企業股份有限公司		ITEM NO. CAP-WTAMSPBI	DRAWN BY Vicky	DATE 2013-09-12
	TOLERANCE .X ±0.25 .XX ±0.1 .XXX ±0.05 ANGLES ±1°	SCALE 1:1	SIZE A4	SHEET 1	OF 1	REV. A	WC-REV. A.1	\varnothing : Inspection item	DWG NO. CAP-WTAMSPBI	CHECKED BY Sam	DATE 2013-09-12
								CUSTOMER ALTW	APPROVED BY Rita	DATE 2013-09-12	8